



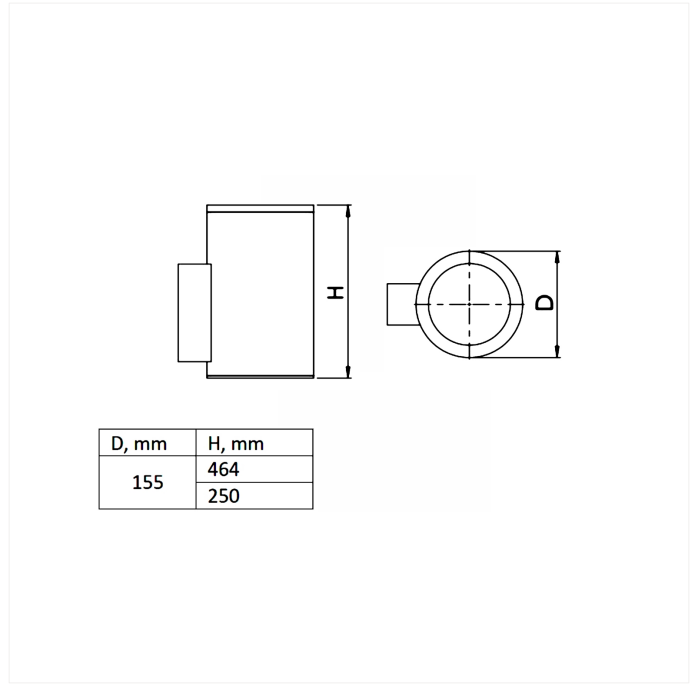
## FDV SPEC SHEET

Tube Wall Up&Down 2x2750lm 830 45° 39W IP65 Ø155x250mm D.GR

Art. no: 1076-45-1



Lighting Solutions



# Tube Wall Up&Down 2x2750lm 830 45° 39W IP65 Ø155



Art. no: 1076-45-1

### LIGHT TECHNICAL

Lumen Output:	4111
Lumen LED (tc=25):	5558
Beam Angle:	45°
CCT (Color Temperature):	3000
CRI / Ra:	80
Color Code:	830
MacAdam (SDCM):	3
Lens (Diffuser):	None

### MOUNTING / CONNECTION

Connection:	Terminal
Mounting:	Surface, Wall

### ELECTRICAL DATA

Dimming:	None
System Power [W]:	39
System Voltage [V]:	230V 50Hz
Protection Class:	1
Max load pr circuit - B10:	31
Max load pr circuit - B16:	50
Max load pr circuit - C10:	46
Max load pr circuit - C16:	73
Inrush current I <sub>max</sub> [A]:	5
Inrush current time [µs]:	50
Socket / Cap-Base:	N/A
Current Output [mA]:	500
Voltage Forward Min [V]:	31,2
Voltage Forward Max [V]:	36,8



## FDV SPEC SHEET

Tube Wall Up&Down 2x2750lm 830 45° 39W IP65 Ø155x250mm D.GR  
Art. no: 1076-45-1



*Lighting Solutions*

### PRODUCT

Ingress Protection:	IP65
Impact Protection:	IK08
Corrosion Class:	C3
Operating Temperature [°C]:	-25 - 40
Lifetime [h]:	L80B50: 50 000
Color:	Dark Grey
Height [mm]:	464
Width [mm]:	155
Weight [kg]:	3,2