



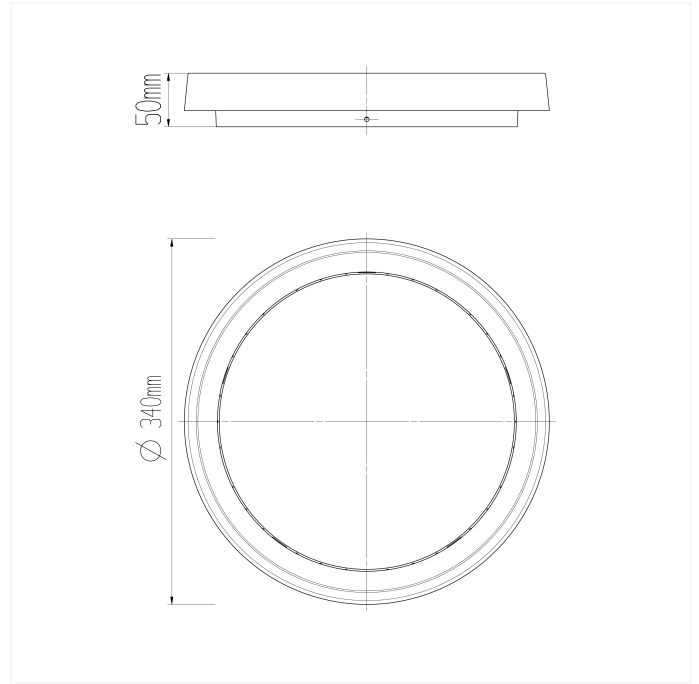
## FDV SPEC SHEET

Ancha Round 2500lm 830 110° 30W Dark Grey Quickconnect

Art. no: 2350-110-7



Lighting Solutions



# Ancha Round 2500lm 830 110° 30W Dark Grey Quickco



Art. no: 2350-110-7

### LIGHT TECHNICAL

Lightsource Type:	LED (built in)
Lumen Output:	2449
Lumen LED (tc=25):	2500
Beam Angle:	110°
CCT (Color Temperature):	3000
CRI / Ra:	80
Color Code:	830
Lens (Diffuser):	Opal

### MOUNTING / CONNECTION

Connection:	QuickConnect
Mounting:	Surface, Wall, Ceiling

### ELECTRICAL DATA

Dimming:	None
System Power [W]:	30
System Voltage [V]:	230V 50Hz
Protection Class:	1
Max load pr circuit - B10:	26
Max load pr circuit - B16:	42
Max load pr circuit - C10:	44
Max load pr circuit - C16:	71
Leakage current [mA]:	0,5
Inrush current I <sub>max</sub> [A]:	10
Inrush current time [μs]:	125
Socket / Cap-Base:	N/A
Current Output [mA]:	700
Voltage Forward Min [V]:	39
Voltage Forward Max [V]:	43



## FDV SPEC SHEET

Ancha Round 2500lm 830 110° 30W Dark Grey Quickconnect  
Art. no: 2350-110-7



PRODUCT	
Ingress Protection:	IP54
Impact Protection:	IK08
Operating Temperature [°C]:	-20 - 50
Color:	Dark Grey
Height [mm]:	50
Width [mm]:	340
Weight [kg]:	1,77