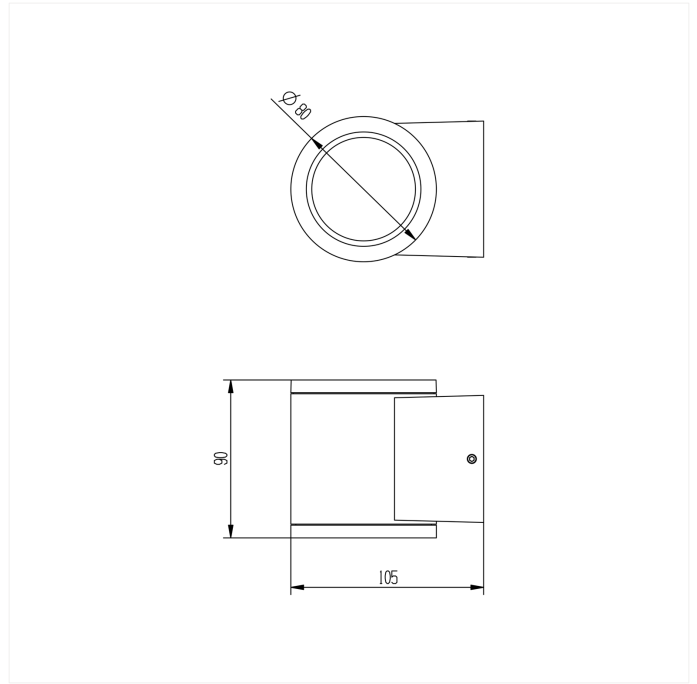




## FDV SPEC SHEET

Gemma GU10 up or down 45° max 35W Dark Grey  
Art. no: 2385-45-7



# Gemma GU10 up or down 45° max 35W Dark Grey



Art. no: 2385-45-7

### LIGHT TECHNICAL

Lightsource Type:	Lightsource not included
Socket / Cap-Base:	GU10
Beam Angle:	45°
Lens (Diffuser):	Clear

### MOUNTING / CONNECTION

Connection:	Terminal
Mounting:	Surface, Wall

### PRODUCT

Ingress Protection:	IP54
Operating Temperature [°C]:	-20 - 50
Color:	Dark Grey
RAL:	RAL7024
Length [mm]:	105
Height [mm]:	80
Diameter [mm]:	90
Weight [kg]:	0,4

### ELECTRICAL DATA

Dimming:	Light bulb dependent
Max. Power [W]:	35
System Voltage [V]:	230V 50Hz
Protection Class:	1
Socket / Cap-Base:	GU10