



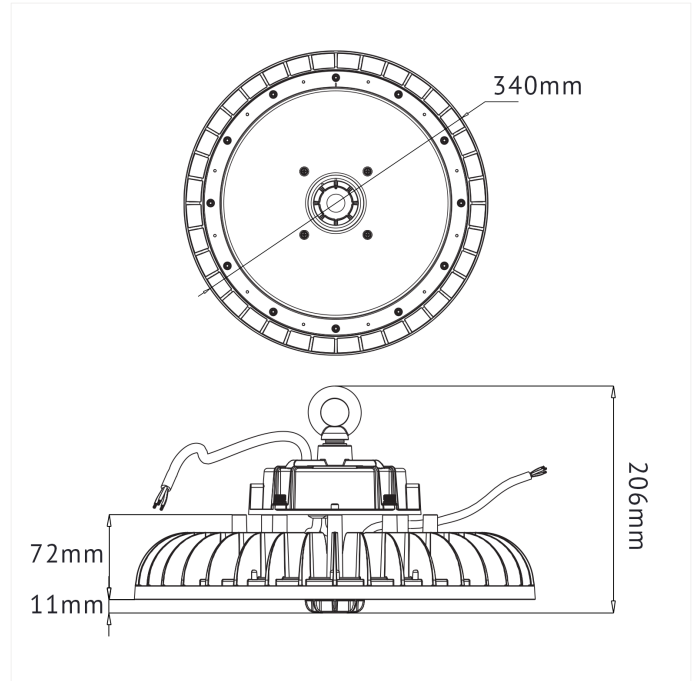
## FDV SPEC SHEET

Ufo B High Bay 240W

Art. no: 4224-01-2-ddd



Lighting Solutions



# Ufo B High Bay 240W



Art. no: 4224-01-2-ddd

### LIGHT TECHNICAL

Lightsource Type:	LED (built in)
Lumen Output:	38700
Lumen LED (tc=25):	42600
Beam Angle:	120
CCT (Color Temperature):	4000
CRI / Ra:	80
Color Code:	840
Lens (Diffuser):	Lens

### ELECTRICAL DATA

Dimming:	DALI2
Dimming Output Type:	PWM
System Power [W]:	240
System Voltage [V]:	230V 50Hz
Protection Class:	1
Max load pr circuit - B10:	1
Max load pr circuit - B16:	2
Max load pr circuit - C10:	1
Max load pr circuit - C16:	3
Leakage current [mA]:	0,75
Inrush current I <sub>max</sub> [A]:	90
Inrush current time [μs]:	230

### MOUNTING / CONNECTION

Connection:	18i3 0,4m + 2x0,4m free end
Mounting:	Suspended



## FDV SPEC SHEET

Ufo B High Bay 240W

Art. no: 4224-01-2-ddd



*Lighting Solutions*

### PRODUCT

Ingress Protection:	IP65
Impact Protection:	IK08
Corrosion Class:	C2
Operating Temperature [°C]:	-35 - 50
Lifetime [h]:	L80B50: 91 000
Color:	Black
Height [mm]:	140
Width [mm]:	340
Weight [kg]:	3,95
Housing Material :	Aluminium
Diffuser Material:	Polycarbonate
Material 2:	Mechanical installed part(Steel)