



PRODUCT SHEET

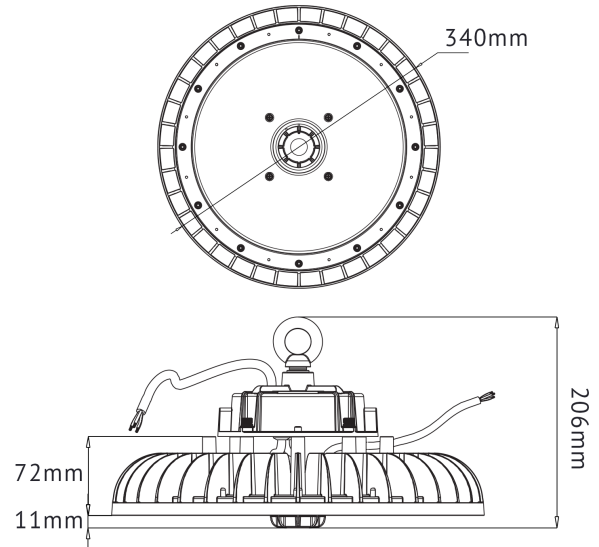
Ufo B High Bay 240W

Art. no: 4224-01-2-ddd



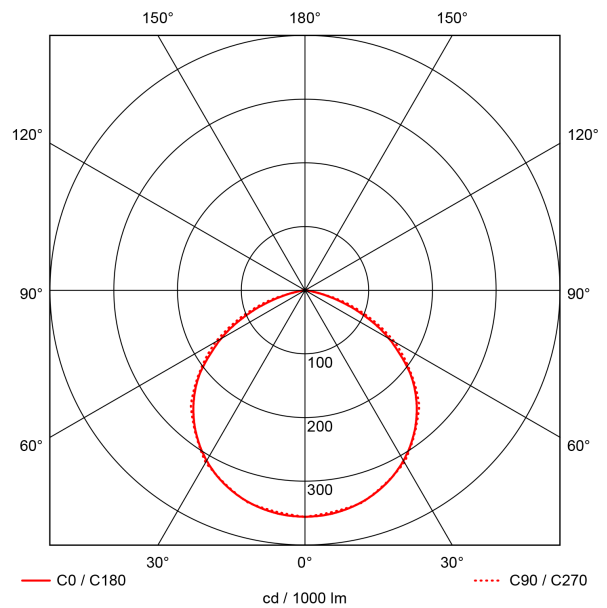
Lighting Solutions

Ufo B High Bay 240W



SPECIFICATIONS

Lightsource Type:	LED (built in)
System Power [W]:	240W
CCT (Color Temperature):	4000K
CRI / Ra:	80
Lumen Output:	38700lm
Lumen LED (tc=25):	42600lm
Beam Angle:	120
Lens (Diffuser):	Lens
Dimming:	DALI2
System Voltage [V]:	230V 50Hz
Connection:	18i3 0,4m + 2x0,4m free end
Mounting:	Suspended
Lifetime [h]:	L80B50: 91 000h
Lumen/W:	161lm/W
Color:	Black
Height [mm]:	140mm
Width [mm]:	340mm
Weight [kg]:	3,95kg



Ufo B high bay is absolute top-notch concerning light output and mechanical strength. The luminaire is classified accordance to the IP65 norm. This makes UFO B very suitable for use in tough conditions. The light output from the UFO B is >160 lm/W, makes this a perfect choice. Add a PIR or microwave sensor to make your light control more cost efficient. Sensor can not be used together with DALI2 version. Ufo B high Bay are delivered with 1-10W / PWM dimming or DALI2. See accessories for variable choice of lampshade and lenses.