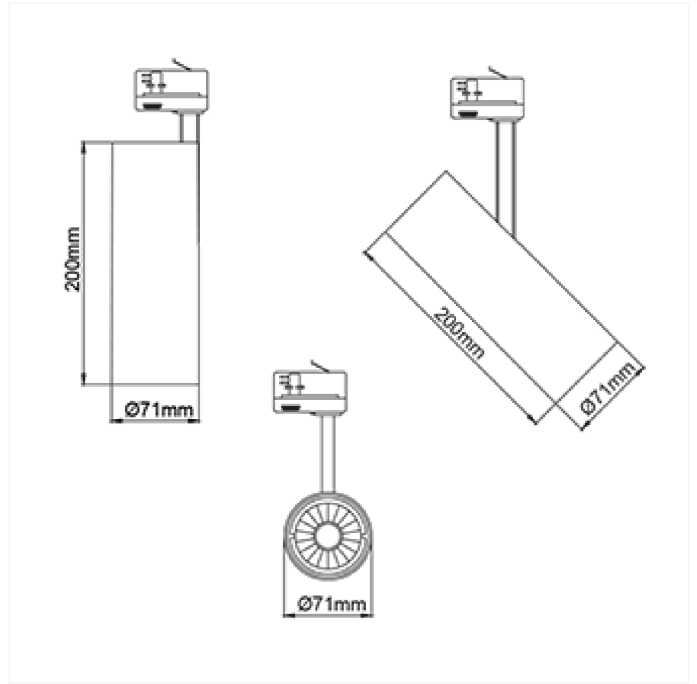




FDV SPEC SHEET
 Silindir 70
 Art. no: 101090-7-30-3-ddd



Silindir 70



Art. no: 101090-7-30-3-ddd

LIGHT TECHNICAL

Lightsource Type:	LED (built in)
Beam Angle:	30
CCT (Color Temperature):	2700
CRI / Ra:	90
Color Code:	927
MacAdam (SDCM):	3
Lens (Diffuser):	Clear

MOUNTING / CONNECTION

Connection:	Track 3-Circuit+dim
Mounting:	Track, Ceiling

PRODUCT

Ingress Protection:	IP20
Lifetime [h]:	L80B10: 100 000
Color:	White
Length [mm]:	71
Height [mm]:	215
Width [mm]:	71
Weight [kg]:	1

ELECTRICAL DATA

Dimming:	DALI
Flicker metric (Pst LM) <:	1
Stroboscopic effect metric (SVM) <	0,4
System Power [W]:	19
System Voltage [V]:	230V 50Hz
Dimming Output Type:	Amplitude Modulation
Protection Class:	1
Max load pr circuit - C10:	20
Max load pr circuit - C16:	30
Dimming Output Type:	Amplitude Modulation