



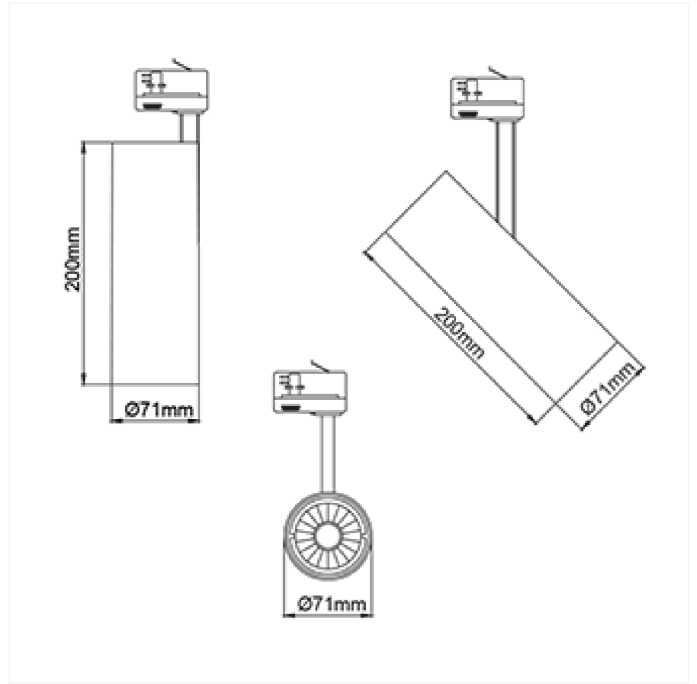
FDV SPEC SHEET

Silindir 70

Art. no: 1081-7-40-2-ddd



Lighting Solutions



Silindir 70



Art. no: 1081-7-40-2-ddd

LIGHT TECHNICAL

Lightsource Type:	LED (built in)
Lumen Output:	2400
Lumen LED (tc=25):	2500
Beam Angle:	40°
CCT (Color Temperature):	3000
CRI / Ra:	90
Color Code:	930
MacAdam (SDCM):	3
Lens (Diffuser):	Clear

MOUNTING / CONNECTION

Connection:	Track 3-Circuit+dim
Mounting:	Track, Ceiling

ELECTRICAL DATA

Dimming:	DALI2
Flicker metric (Pst LM) <:	1
Stroboscopic effect metric (SVM) <:	0,4
System Power [W]:	20
System Voltage [V]:	230V 50Hz
Dimming Output Type:	Amplitude Modulation
Protection Class:	1
Max load pr circuit - C10:	20
Max load pr circuit - C16:	30
Voltage Forward Min [V]:	29,3
Voltage Forward Max [V]:	38,7
Dimming Output Type:	Amplitude Modulation



FDV SPEC SHEET

Silindir 70

Art. no: 1081-7-40-2-ddd



Lighting Solutions

PRODUCT

Ingress Protection:	IP20
Lifetime [h]:	L80B10: 100 000
Color:	Black
Length [mm]:	71
Height [mm]:	215
Width [mm]:	71
Weight [kg]:	1