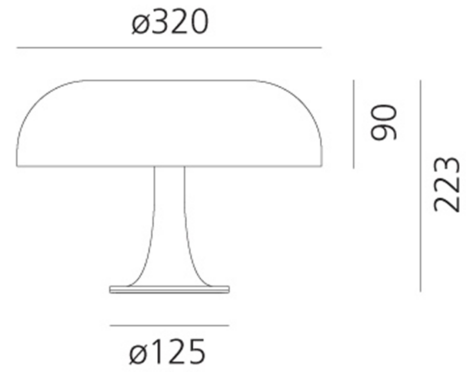
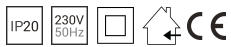




**FDV SPEC SHEET**  
 Nessino 680lm 3000K White  
 Art. no: 0039060A



# Nessino 680lm 3000K White



Art. no: 0039060A

LIGHT TECHNICAL	
Lightsource Type:	Lightsource not included
Lumen Output:	680
Socket / Cap-Base:	E14
CCT (Color Temperature):	3000
MOUNTING / CONNECTION	
Connection:	Terminal
Mounting:	Table
PRODUCT	
Ingress Protection:	IP20
Color:	White
Height [mm]:	223
Width [mm]:	320

ELECTRICAL DATA	
Dimming:	Light bulb dependent
Max. Power [W]:	4x20W
System Voltage [V]:	230V 50Hz
Protection Class:	2
Socket / Cap-Base:	E14