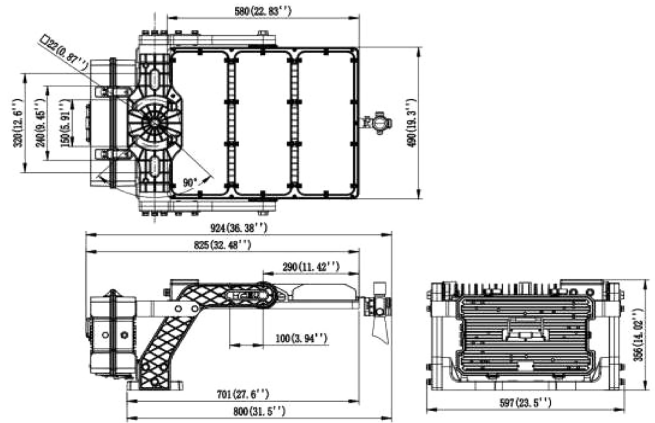




FDV SPEC SHEET
X-Flood
Art. no: 101313-14-2 -ddd



X-Flood



Art. no: 101313-14-2 -ddd

LIGHT TECHNICAL	
Lightsource Type:	LED (built in)
Lumen LED (tc=25):	175200
CCT (Color Temperature):	4000
CRI / Ra:	70
Color Code:	740
Lens (Diffuser):	Lens

PRODUCT	
Ingress Protection:	IP66
Impact Protection:	IK08
Operating Temperature [°C]:	-30 - 40
Lifetime [h]:	L80B10: 100 000
Length [mm]:	700
Height [mm]:	510
Width [mm]:	145
Weight [kg]:	33
Housing Material :	Aluminium

ELECTRICAL DATA	
Dimming:	DALI2
System Power [W]:	1200
System Voltage [V]:	230V 50Hz
Protection Class:	1

MOUNTING / CONNECTION	
Connection:	Terminal
Mounting:	Wall, Mast