



PRODUCT SHEET

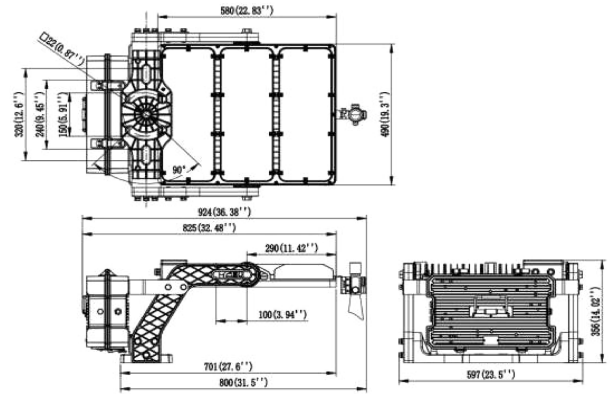
X-Flood

Art. no: 101313-14-2 -ddd



Lighting Solutions

X-Flood



X-Flood LED sports light is designed for high mounting application, such as large soccer field and plazas. This convenient and humanized design enable it fit for different requests in outdoor lighting applications and minimize glare and control the uniformity. Module could be adjusted vertically and horizontally to get the best light uniformity. 1200W 4000K with multiple optics options. Efficiency up to 140lm/W, 160lm/W, more energy saving. Provided with 20KV Build-in Surge Protection Devices Excellent anti-corrosion performance.



SPECIFICATIONS	
Lightsource Type:	LED (built in)
System Power [W]:	1200W
CCT (Color Temperature):	4000K
CRI / Ra:	70
Lumen LED (tc=25):	175200lm
Lens (Diffuser):	Lens
Dimming:	DALI2
System Voltage [V]:	230V 50Hz
Connection:	Terminal
Mounting:	Wall, Mast
Lifetime [h]:	L80B10: 100 000h
Length [mm]:	700mm
Height [mm]:	510mm
Width [mm]:	145mm
Weight [kg]:	33kg