



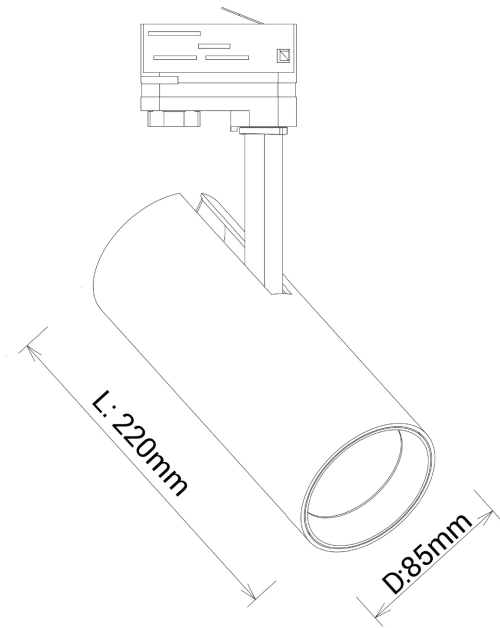
FDV SPEC SHEET

Cylinder 85

Art. no: 17155-7-30-2



Lighting Solutions



Cylinder 85



Art. no: 17155-7-30-2

LIGHT TECHNICAL

Lightsource Type:	LED (built in)
Lumen Output:	2227
Lumen LED (tc=25):	3250
Beam Angle:	30°
CCT (Color Temperature):	3000
CRI / Ra:	90
Color Code:	930
Lens (Diffuser):	Clear
UGR (<=):	19

MOUNTING / CONNECTION

Connection:	Track 3-Circuit
Mounting:	Track, Ceiling

ELECTRICAL DATA

Dimming:	None
System Power [W]:	27
System Voltage [V]:	230V 50Hz
Protection Class:	1
Max load pr circuit - B10:	14
Max load pr circuit - B16:	24
Max load pr circuit - C10:	24
Max load pr circuit - C16:	40
Inrush current I _{max} [A]:	25
Inrush current time [μs]:	150
Current Output [mA]:	700



FDV SPEC SHEET

Cylinder 85

Art. no: 17155-7-30-2



Lighting Solutions

PRODUCT

Ingress Protection:	IP20
Color:	Black
Length [mm]:	220
Height [mm]:	250
Width [mm]:	85
Weight [kg]:	1,2