




FDV SPEC SHEET

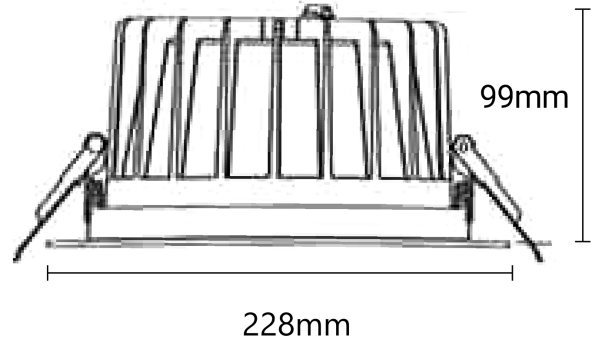
Polaris

Art. no: 3001-60-3

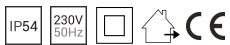


Lighting Solutions

 200-210mm



Polaris



Art. no: 3001-60-3

LIGHT TECHNICAL

Lightsource Type:	LED (built in)
Lumen Output:	2500
Lumen LED (tc=25):	2600
Beam Angle:	60°
CCT (Color Temperature):	3000
CRI / Ra:	80
Color Code:	830
MacAdam (SDCM):	3
Lens (Diffuser):	Clear

MOUNTING / CONNECTION

Connection:	Depending on driver
Cut-out [mm]:	Ø200-Ø210
Mounting:	Recessed, Ceiling

ELECTRICAL DATA

Dimming:	Depending on Driver
System Power [W]:	25
System Voltage [V]:	230V 50Hz
Protection Class:	2
Socket / Cap-Base:	N/A
Current Output [mA]:	600
Voltage Forward Min [V]:	28
Voltage Forward Max [V]:	40



FDV SPEC SHEET

Polaris

Art. no: 3001-60-3



Lighting Solutions

PRODUCT

To be recessed in insulation:	Not applicable
Ingress Protection:	IP54
Lifetime [h]:	L80B10: 100 000
Color:	White
Length [mm]:	228
Height [mm]:	99
Width [mm]:	228
Weight [kg]:	1,14