



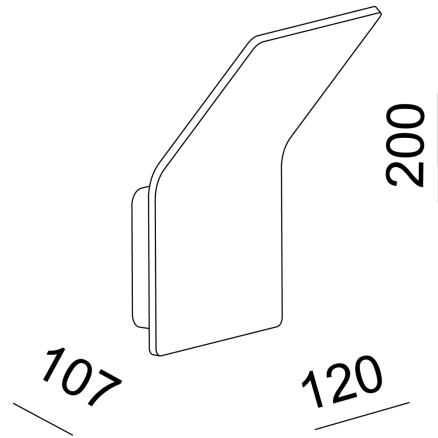
FDV SPEC SHEET

Mira 650lm 927 6,1W WH Phasecut

Art. no: 3541-3



Lighting Solutions



Mira 650lm 927 6,1W WH Phasecut



Art. no: 3541-3

| LIGHT TECHNICAL | |
|--------------------------|------|
| Lumen LED (tc=25): | 650 |
| Beam Angle: | 30° |
| CCT (Color Temperature): | 2700 |
| CRI / Ra: | 90 |
| Color Code: | 927 |

| MOUNTING / CONNECTION | |
|-----------------------|---------------|
| Connection: | Terminal |
| Mounting: | Surface, Wall |

| PRODUCT | |
|---------------------|-------|
| Ingress Protection: | IP20 |
| Color: | White |
| Length [mm]: | 120 |
| Height [mm]: | 200 |
| Width [mm]: | 107 |

| ELECTRICAL DATA | |
|----------------------|-----------|
| Dimming: | Phase-Cut |
| System Power [W]: | 6,1 |
| System Voltage [V]: | 230V 50Hz |
| Protection Class: | 1 |
| Current Output [mA]: | 350 |