



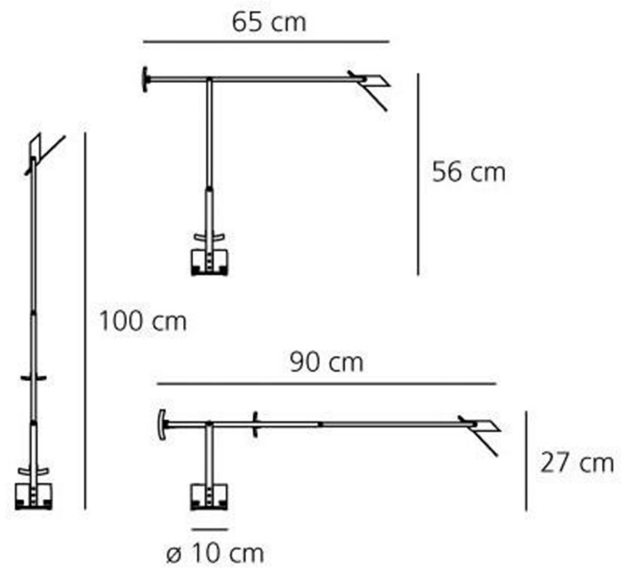
FDV SPEC SHEET

Tizio 35

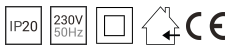
Art. no: A005010



Lighting Solutions



Tizio 35



Art. no: A005010

LIGHT TECHNICAL

Lightsource Type:	Lightsource not included
Socket / Cap-Base:	GY6.35

MOUNTING / CONNECTION

Connection:	Terminal
Mounting:	Table

PRODUCT

Ingress Protection:	IP20
Color:	Black
Length [mm]:	100
Height [mm]:	650
Width [mm]:	100

ELECTRICAL DATA

Dimming:	Light bulb dependent
Max. Power [W]:	35
System Voltage [V]:	230V 50Hz
Protection Class:	2
Socket / Cap-Base:	GY6.35