



FDV SPEC SHEET

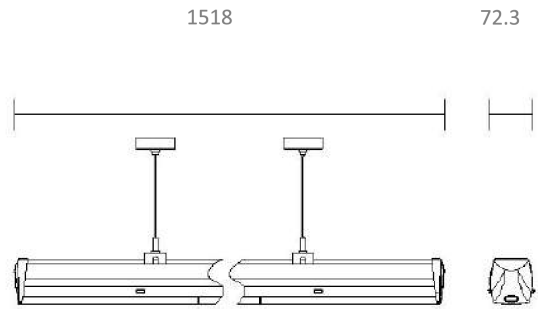
Trunk

Art. no: CFL-2-1570-30NRB08-3



Lighting Solutions

Unit: mm



Trunk



Art. no: CFL-2-1570-30NRB0

LIGHT TECHNICAL

Lightsource Type:	LED (built in)
Lumen Output:	10800
Lumen LED (tc=25):	11000
Beam Angle:	60
CCT (Color Temperature):	3000
CRI / Ra:	80
Color Code:	830
Lens (Diffuser):	Clear

MOUNTING / CONNECTION

Connection:	Trunk 8-wires
Mounting:	Suspended, Ceiling

ELECTRICAL DATA

Dimming:	None
Flickerfree:	Yes
System Power [W]:	70
System Voltage [V]:	230V 50Hz
Protection Class:	1
Max load pr circuit - B10:	7
Max load pr circuit - B16:	12
Max load pr circuit - C10:	12
Max load pr circuit - C16:	20
Inrush current I _{max} [A]:	25,5
Inrush current time [µs]:	302



FDV SPEC SHEET

Trunk

Art. no: CFL-2-1570-30NRB08-3



Lighting Solutions

PRODUCT

Ingress Protection:	IP20
Lifetime [h]:	L80B50: 100 000
Color:	White
RAL:	RAL9016
Length [mm]:	1500
Height [mm]:	78,6
Width [mm]:	72,3
Weight [kg]:	1,67