

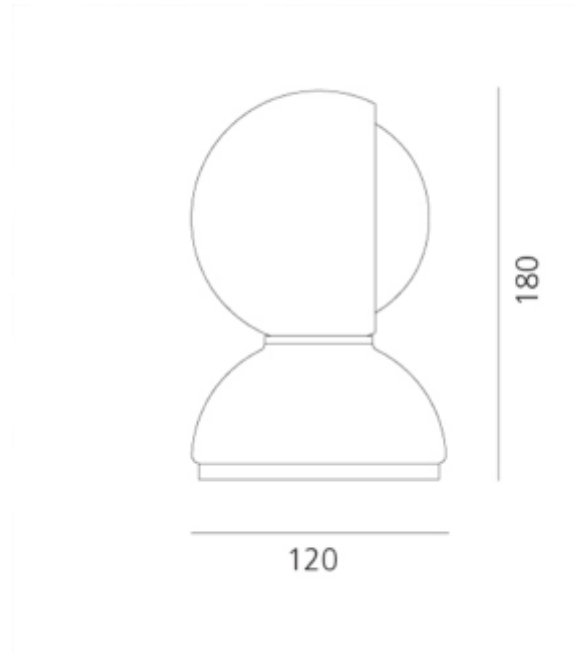


## FDV SPEC SHEET

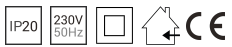
Eclisse Red  
Art. no: 0028030A



*Lighting Solutions*



# Eclisse Red



Art. no: 0028030A

### LIGHT TECHNICAL

Lightsource Type:	Lightsource not included
Lumen Output:	170
Socket / Cap-Base:	E14

### MOUNTING / CONNECTION

Connection:	Terminal
Mounting:	Table

### PRODUCT

Ingress Protection:	IP20
Color:	Red
Height [mm]:	180
Width [mm]:	120

### ELECTRICAL DATA

Dimming:	Light bulb dependent
Max. Power [W]:	25
System Voltage [V]:	230V 50Hz
Protection Class:	2
Socket / Cap-Base:	E14