



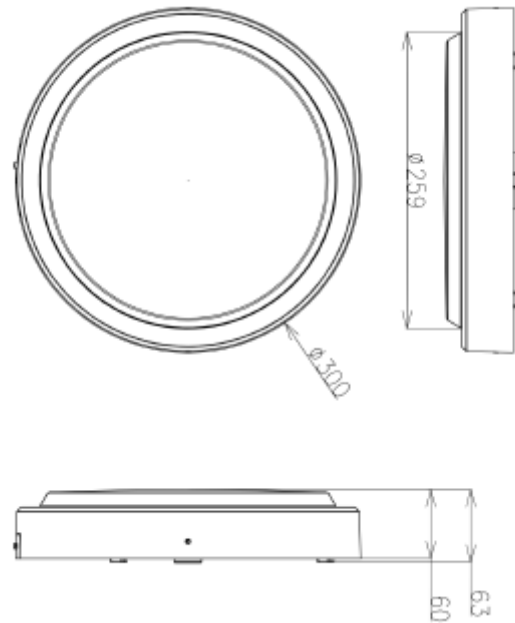
FDV SPEC SHEET

Yil

Art. no: 10100-2-01-7



Lighting Solutions



Yil



Art. no: 10100-2-01-7

LIGHT TECHNICAL	
Lumen Output:	1700
Lumen LED (tc=25):	1750
Beam Angle:	120°
CCT (Color Temperature):	3/4/5700
CRI / Ra:	80
Color Code:	830/840/857
MacAdam (SDCM):	3
Lens (Diffuser):	PC Opal
MOUNTING / CONNECTION	
Connection:	QuickConnect
Mounting:	Wall, Ceiling

ELECTRICAL DATA	
Dimming:	None
Flicker metric (Pst LM) <:	1
Stroboscopic effect metric (SVM) <:	0,9
System Power [W]:	10/15
System Voltage [V]:	230V 50Hz
Protection Class:	1
Max load pr circuit - C10:	37
Max load pr circuit - C16:	59
Leakage current [mA]:	0,75
Inrush current I _{max} [A]:	2,46
Inrush current time [µs]:	51



FDV SPEC SHEET

Yil

Art. no: 10100-2-01-7



Lighting Solutions

PRODUCT

Ingress Protection:	IP65
Impact Protection:	IK10
Operating Temperature [°C]:	-20 - 45
Lifetime [h]:	L80B10: 100 000
Color:	Dark Grey
RAL:	RAL7022
Height [mm]:	63
Width [mm]:	300
Weight [kg]:	2,04
Housing Material :	Aluminium