

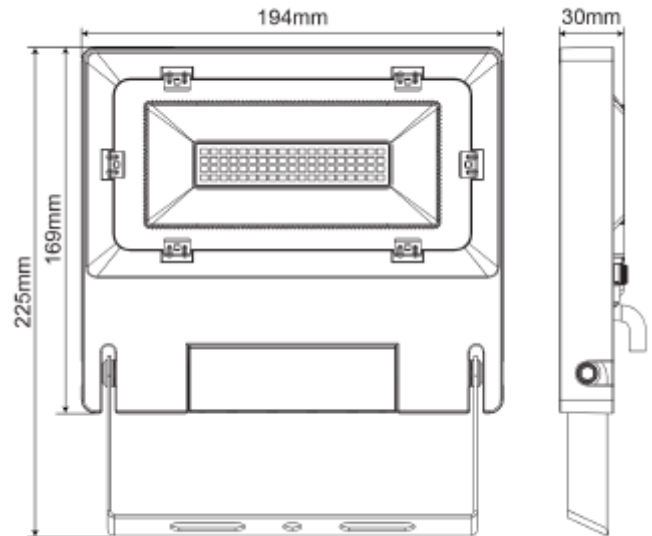


## FDV SPEC SHEET

Michelle Floodlight  
Art. no: 101125-PIR-2



Lighting Solutions



# Michelle Floodlight



Art. no: 101125-PIR-2

### LIGHT TECHNICAL

Lumen Output:	4950
Lumen LED (tc=25):	5100
Beam Angle:	110°
CCT (Color Temperature):	4000
CRI / Ra:	80
Color Code:	840
Lens (Diffuser):	Clear

### MOUNTING / CONNECTION

Connection:	Cable 2m
Mounting:	Wall

### ELECTRICAL DATA

Dimming:	Sensor (PIR)
System Power [W]:	50
System Voltage [V]:	230V 50Hz
Protection Class:	1
Max load pr circuit - B10:	16
Max load pr circuit - B16:	25
Max load pr circuit - C10:	25
Max load pr circuit - C16:	40
Leakage current [mA]:	0,5
Inrush current I <sub>max</sub> [A]:	8
Socket / Cap-Base:	N/A



## FDV SPEC SHEET

Michelle Floodlight  
Art. no: 101125-PIR-2



*Lighting Solutions*

### PRODUCT

Ingress Protection:	IP65
Impact Protection:	IK08
Operating Temperature [°C]:	-20 - 45
Lifetime [h]:	L80B50: 35 000
Color:	Black
Length [mm]:	194
Height [mm]:	225
Width [mm]:	30
Weight [kg]:	0,96