



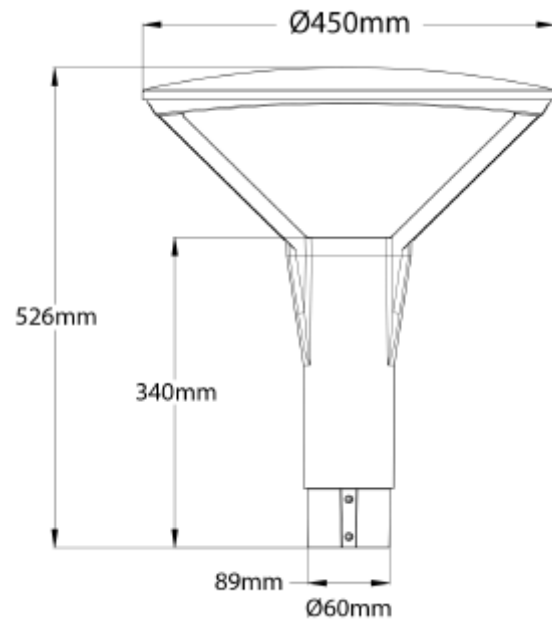
FDV SPEC SHEET

Theros

Art. no: 101190-01-1



Lighting Solutions



Theros



Art. no: 101190-01-1

LIGHT TECHNICAL

Lumen Output:	3690
Lumen LED (tc=25):	3700
CCT (Color Temperature):	3000
CRI / Ra:	80
Color Code:	830

MOUNTING / CONNECTION

Connection:	Cable 5m
Mounting:	Mast

ELECTRICAL DATA

Dimming:	None
System Power [W]:	31
System Voltage [V]:	230V 50Hz
Protection Class:	1
Max load pr circuit - B10:	8
Max load pr circuit - B16:	13
Max load pr circuit - C10:	13
Max load pr circuit - C16:	22
Leakage current [mA]:	0,75
Inrush current I _{max} [A]:	40
Inrush current time [µs]:	200
Socket / Cap-Base:	N/A
Current Output [mA]:	710



FDV SPEC SHEET

Theros

Art. no: 101190-01-1



Lighting Solutions

PRODUCT

Ingress Protection:	IP66
Impact Protection:	IK08
Corrosion Class:	C3
Wind force (EPA) [m2]:	0,52
Surge Protection:	L-N = 6KV, L/N-PE = 10KV
Operating Temperature [°C]:	-30 - 50
Lifetime [h]:	L80B10: 100 000
Color:	Grey
RAL:	RAL7022
Height [mm]:	526
Diameter [mm]:	450
Weight [kg]:	7,1
Housing Material :	Aluminium