



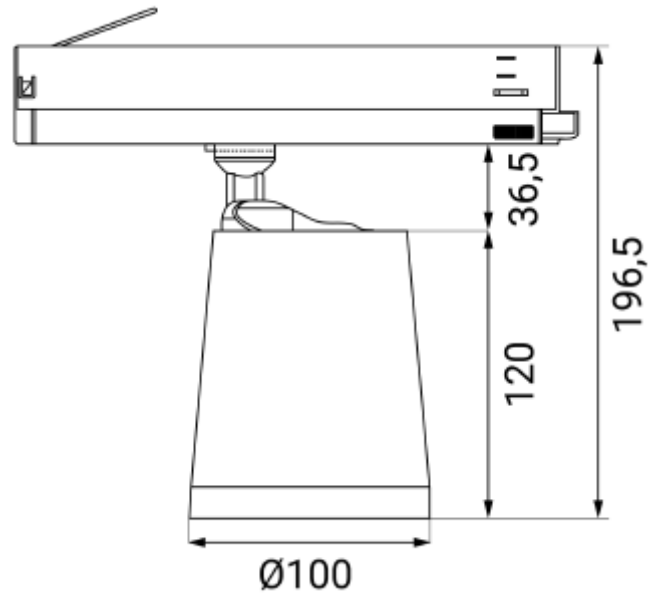
## FDV SPEC SHEET

Cone Spotlight

Art. no: 101200-20-3



Lighting Solutions



# Cone Spotlight



Art. no: 101200-20-3

### LIGHT TECHNICAL

Lightsource Type:	LED (built in)
Lumen Output:	2886
Lumen LED (tc=25):	3800
Beam Angle:	20
CCT (Color Temperature):	3000
CRI / Ra:	80
Color Code:	830
Lens (Diffuser):	Clear

### MOUNTING / CONNECTION

Connection:	Track 3-Circuit
Mounting:	Track, Ceiling

### ELECTRICAL DATA

Dimming:	None
System Power [W]:	26
System Voltage [V]:	230V 50Hz
Protection Class:	1
Max load pr circuit - B10:	15
Max load pr circuit - B16:	25
Max load pr circuit - C10:	25
Max load pr circuit - C16:	43
Inrush current I <sub>max</sub> [A]:	42
Inrush current time [μs]:	160
Socket / Cap-Base:	N/A
Current Output [mA]:	700



## FDV SPEC SHEET

Cone Spotlight

Art. no: 101200-20-3



*Lighting Solutions*

### PRODUCT

Ingress Protection:	IP20
Operating Temperature [°C]:	0 - 35
Lifetime [h]:	L80B10: 100 000
Color:	White
Height [mm]:	196,5
Width [mm]:	100
Weight [kg]:	0,75
Housing Material :	Aluminium
Housing Material :	Aluminium