



PRODUCT SHEET

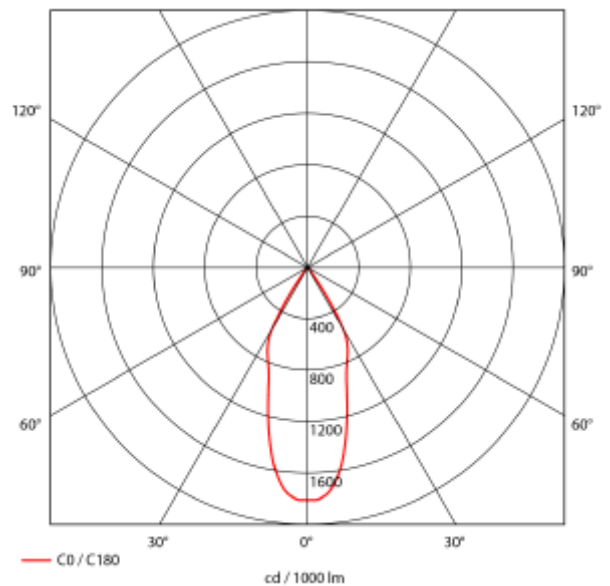
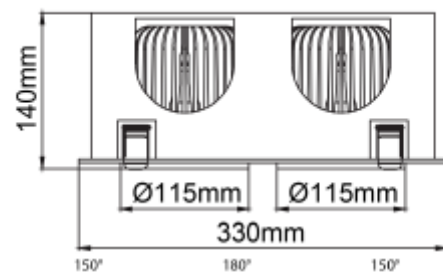
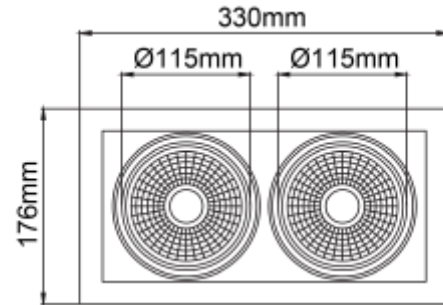
Manna Double

Art. no: 101252-40-3



Lighting Solutions

Manna Double



SPECIFICATIONS

| | |
|-------------------------------|-----------------|
| Lightsource Type: | LED (built in) |
| System Power [W]: | 2x35W |
| CCT (Color Temperature): | 3000K |
| CRI / Ra: | 90 |
| Lumen Output: | 2x4030lm |
| Lumen LED (tc=25): | 2x4100lm |
| Beam Angle: | 40° |
| Lens (Diffuser): | Clear |
| Dimming: | None |
| System Voltage [V]: | 230V 50Hz |
| Connection: | 18i3x2 |
| Mounting: | Recessed |
| Cut-out [mm]: | 310x160mm |
| Lifetime [h]: | L80B10: 60 000h |
| Lumen/W: | 115lm/W |
| MacAdam (SDCM): | 3 |
| Color: | White |
| Length [mm]: | 330mm |
| Height [mm]: | 176mm |
| Width [mm]: | 140mm |
| To be recessed in insulation: | No |