



PRODUCT SHEET

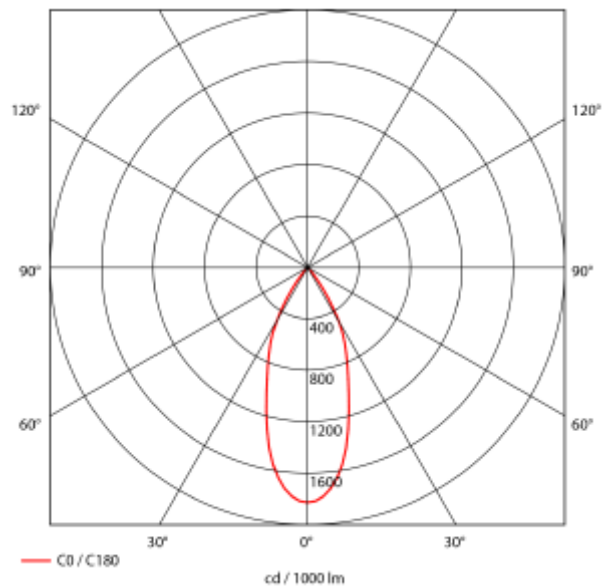
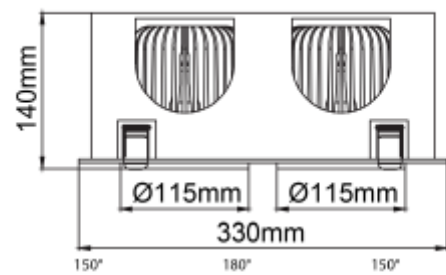
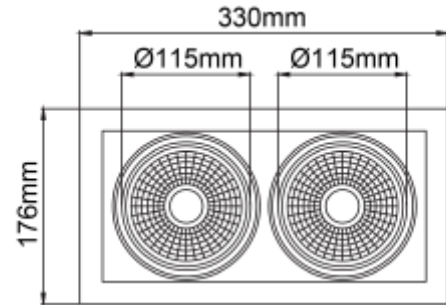
Manna Double

Art. no: 101253-40-3



Lighting Solutions

Manna Double



SPECIFICATIONS

Lightsource Type:	LED (built in)
System Power [W]:	2x35W
CCT (Color Temperature):	3500K
CRI / Ra:	90
Lumen Output:	2x4170lm
Lumen LED (tc=25):	2x4400lm
Beam Angle:	40°
Lens (Diffuser):	Clear
Dimming:	None
System Voltage [V]:	230V 50Hz
Connection:	18i3x2
Mounting:	Recessed
Cut-out [mm]:	310x160mm
Lifetime [h]:	L80B10: 60 000h
Lumen/W:	119lm/W
MacAdam (SDCM):	3
Color:	White
Length [mm]:	330mm
Height [mm]:	176mm
Width [mm]:	140mm
To be recessed in insulation:	No