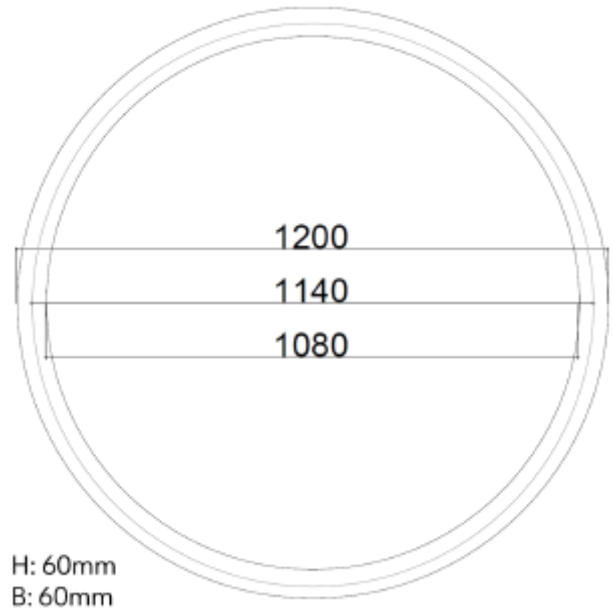




FDV SPEC SHEET
 Sircular Pendant
 Art. no: 101301-120-2-ddd



Sircular Pendant



Art. no: 101301-120-2-ddd

LIGHT TECHNICAL

Lightsource Type:	LED (built in)
Lumen Output:	6120
Lumen LED (tc=25):	6000
Beam Angle:	120°
CCT (Color Temperature):	3000
CRI / Ra:	80
Color Code:	830
MacAdam (SDCM):	5
Lens (Diffuser):	Opal
UGR (<=):	22

MOUNTING / CONNECTION

Connection:	Cable 2m
Mounting:	Ceiling, Pendant

ELECTRICAL DATA

Dimming:	DALI2
System Power [W]:	60
System Voltage [V]:	230V 50Hz
Protection Class:	1
Max load pr circuit - B16:	26
Max load pr circuit - C16:	31
Leakage current [mA]:	0,75
Inrush current Imax [A]:	30
Inrush current time [µs]:	130



FDV SPEC SHEET
Circular Pendant
Art. no: 101301-120-2-ddd



PRODUCT	
Ingress Protection:	IP20
Impact Protection:	IK09
Operating Temperature [°C]:	-30 - 55
Lifetime [h]:	L80B20: 50 000
Color:	Black
Length [mm]:	60
Height [mm]:	60
Diameter [mm]:	1200
Weight [kg]:	100
Housing Material :	Aluminium
Diffuser Material:	Polycarbonate