



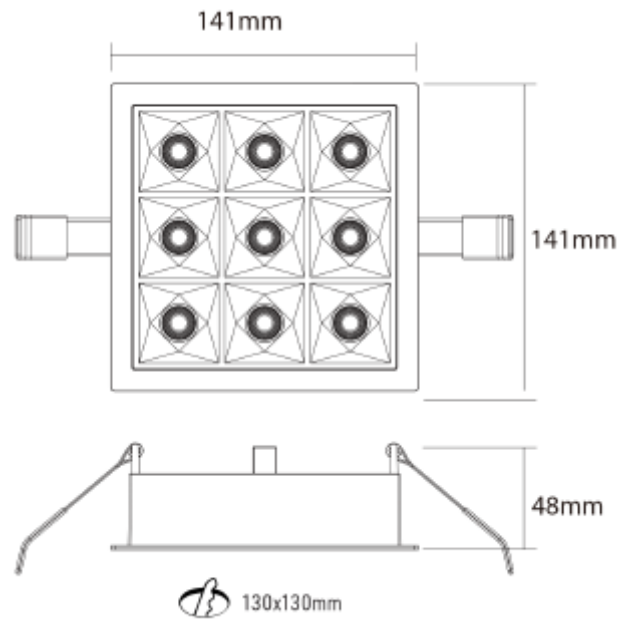
FDV SPEC SHEET

Phoenix Downlight

Art. no: 101851-01-2



Lighting Solutions



Phoenix Downlight



Art. no: 101851-01-2

LIGHT TECHNICAL

Lightsource Type:	LED (built in)
Lumen Output:	1650
Lumen LED (tc=25):	1850
Beam Angle:	35°
CCT (Color Temperature):	3000
CRI / Ra:	80
Color Code:	830
MacAdam (SDCM):	3
Lens (Diffuser):	Clear

MOUNTING / CONNECTION

Connection:	Depending on driver
Cut-out [mm]:	130x130
Mounting:	Recessed, Ceiling

ELECTRICAL DATA

UGR (<=):	17
Dimming:	Depending on Driver
Flickerfree:	Yes
System Power [W]:	8/18
System Voltage [V]:	230V 50Hz
Protection Class:	1
Socket / Cap-Base:	N/A
Current Output [mA]:	250/600
Voltage Forward Min [V]:	20
Voltage Forward Max [V]:	30



FDV SPEC SHEET

Phoenix Downlight

Art. no: 101851-01-2



Lighting Solutions

PRODUCT

To be recessed in insulation:	No
Ingress Protection:	IP20
Impact Protection:	IK04
Operating Temperature [°C]:	-20 - 45
Lifetime [h]:	L80B10: 50.000
Color:	Black
RAL:	RAL7021
Length [mm]:	141
Height [mm]:	48
Width [mm]:	141
Weight [kg]:	0,6
Housing Material :	Aluminium
Housing Material :	Aluminium