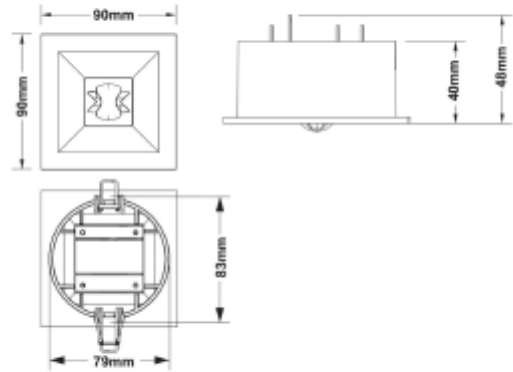


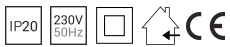


## FDV SPEC SHEET

Corridor R Escape Route EMG 140lm 1W 1h ST Recessed  
Art. no: 1019528



# Corridor R Escape Route EMG 140lm 1W 1h ST Recessed



Art. no: 1019528

### LIGHT TECHNICAL

CCT (Color Temperature):	6500
CRI / Ra:	80

### MOUNTING / CONNECTION

Connection:	Terminal
Cut-out [mm]:	∅83
Mounting:	Recessed

### PRODUCT

Ingress Protection:	IP20
Impact Protection:	IK08
Operating Temperature [°C]:	0 - 40
Lifetime [h]:	L80B50: 50 000
Color:	White
Length [mm]:	95
Height [mm]:	48
Width [mm]:	95
Weight [kg]:	0,66

### ELECTRICAL DATA

System Power [W]:	1
System Voltage [V]:	230V 50Hz
Protection Class:	2
Emergency light [h]:	1 hour
Emergency light testing:	Selftest
Emergency lumen out [lm]:	140