



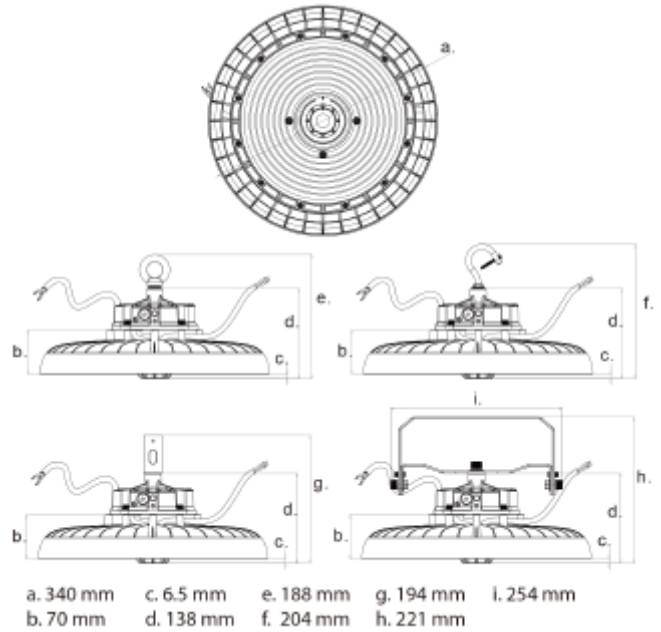
FDV SPEC SHEET

Ufo U High Bay

Art. no: 102335-02-2



Lighting Solutions



Ufo U High Bay



Art. no: 102335-02-2

LIGHT TECHNICAL	
Lightsource Type:	LED (built in)
Lumen Output:	35900
Lumen LED (tc=25):	36000
Beam Angle:	120°
CCT (Color Temperature):	4000
CRI / Ra:	80
Color Code:	840
Lens (Diffuser):	Clear

ELECTRICAL DATA	
Dimming:	PWM, 0-10V
Dimming Output Type:	PWM
Output Hz:	1000-3000
Standby power P_{sb} (W) <:	0,5
Flicker metric (Pst LM) <:	0,015
Stroboscopic effect metric (SVM) <	0,005
System Power [W]:	200/150/120W
System Voltage [V]:	230V 50Hz
Protection Class:	1
Max load pr circuit - B10:	6
Max load pr circuit - B16:	9
Max load pr circuit - C10:	7
Max load pr circuit - C16:	11
Leakage current [mA]:	0,75
Inrush current I_{max} [A]:	80
Inrush current time [μ s]:	350



FDV SPEC SHEET

Ufo U High Bay

Art. no: 102335-02-2



Lighting Solutions

PRODUCT

Ingress Protection:	IP65
Impact Protection:	IK08
Operating Temperature [°C]:	-30 - 50
Lifetime [h]:	L80B10: 100 000
Color:	Black
Height [mm]:	65
Diameter [mm]:	340
Weight [kg]:	4,1
Housing Material :	Aluminium

MOUNTING / CONNECTION

Connection:	18i3 5m + 2x0,4m free end
Mounting:	Suspended