



PRODUCT SHEET

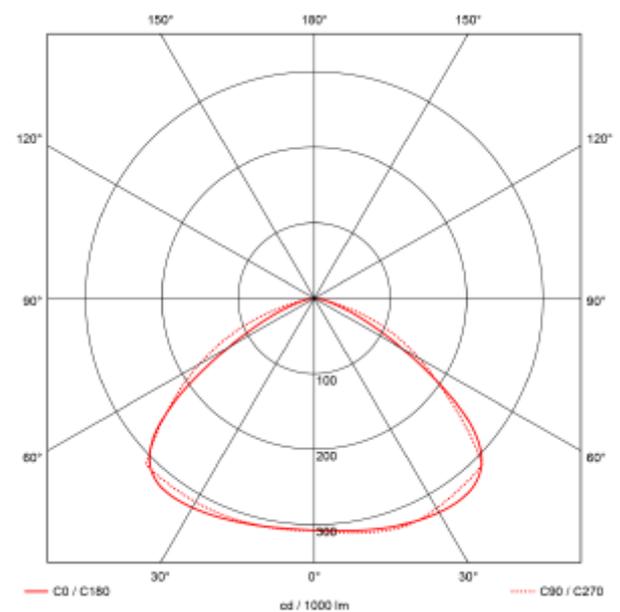
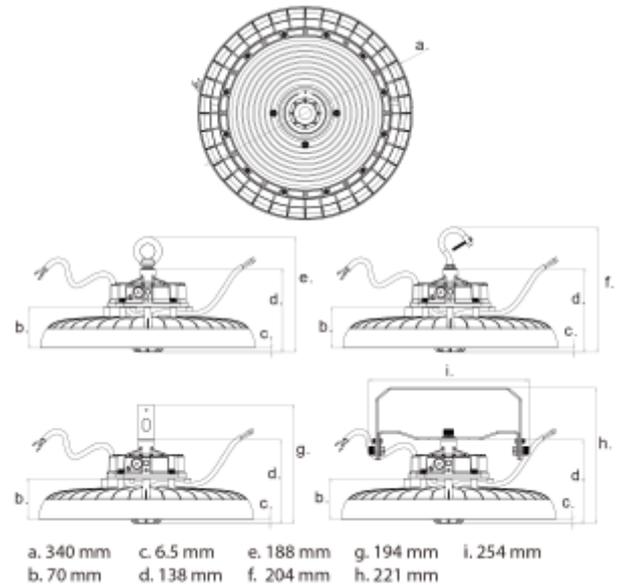
Ufo U High Bay

Art. no: 102335-02-2

NORLUX®

Lighting Solutions

Ufo U High Bay



SPECIFICATIONS

| | |
|--------------------------|---------------------------|
| Lightsource Type: | LED (built in) |
| System Power [W]: | 200/150/120WW |
| CCT (Color Temperature): | 4000K |
| CRI / Ra: | 80 |
| Lumen Output: | 35900lm |
| Lumen LED (tc=25): | 36000lm |
| Beam Angle: | 120° |
| Lens (Diffuser): | Clear |
| Dimming: | PWM, 0-10V |
| System Voltage [V]: | 230V 50Hz |
| Connection: | 18i3 5m + 2x0,4m free end |
| Mounting: | Suspended |
| Lifetime [h]: | L80B10: 100 000h |
| Color: | Black |
| Height [mm]: | 65mm |
| Diameter [mm]: | 340mm |
| Weight [kg]: | 4,1kg |

Ufo U high bay is absolute top-notch concerning light output and mechanical strength. The luminaire is classified accordance to the IP65 norm. This makes UFO B very suitable for use in tough conditions. The light output from the UFO B is >160 lm/W, makes this a perfect choice. Add a PIR or microwave sensor to make your light control more cost efficient. Ufo B high Bay are delivered with 1-10W / PWM dimming. Change effect by dip-switch 200W = 35900lm 150W = 26000lm 120W = 21400lm