



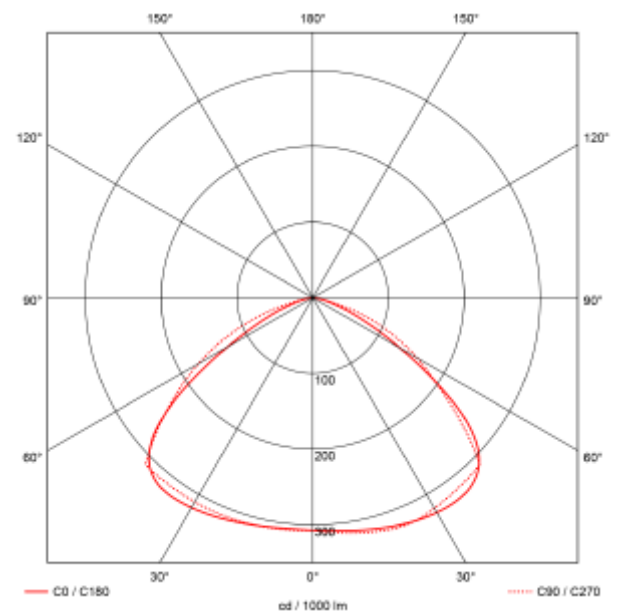
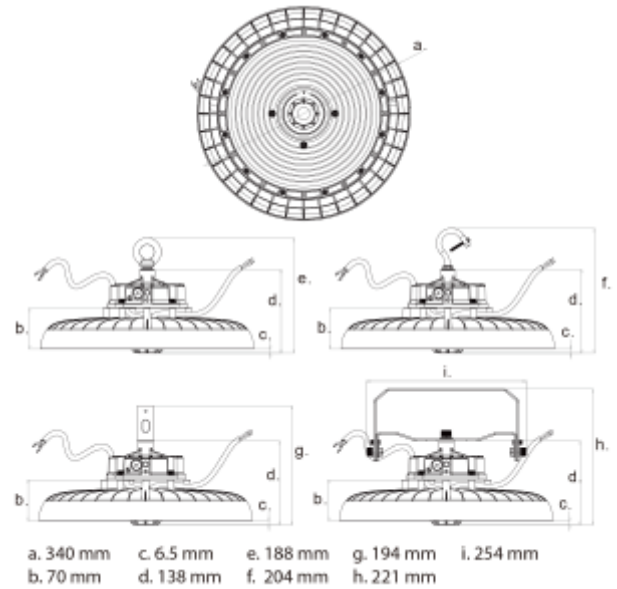
PRODUCT SHEET

Ufo U High Bay
Art. no: 102335-02-A-2



Lighting Solutions

Ufo U High Bay



SPECIFICATIONS	
Lightsource Type:	LED (built in)
System Power [W]:	200/150/120W
CCT (Color Temperature):	4000K
CRI / Ra:	80
Lumen Output:	35900lm
Lumen LED (tc=25):	36000lm
Beam Angle:	120°
Lens (Diffuser):	Clear
Dimming:	PWM, 0-10V
System Voltage [V]:	230V 50Hz
Connection:	RST20i3 5m + 2x0,4m Åpen ende
Mounting:	Suspended
Lifetime [h]:	L80B10: 100 000h
Color:	Black
Height [mm]:	65mm
Diameter [mm]:	340mm
Weight [kg]:	4,1kg

Ufo U high bay is absolute top-notch concerning light output and mechanical strength. The luminaire is classified accordance to the IP65 norm. This makes UFO B very suitable for use in tough conditions. The light output from the UFO B is >160 lm/W, makes this a perfect choice. Add a PIR or microwave sensor to make your light control more cost efficient. Ufo B high Bay are delivered with 1-10W / PWM dimming. Change effect by dip-switch 200W = 35900lm 150W = 26000lm 120W = 21400lm