



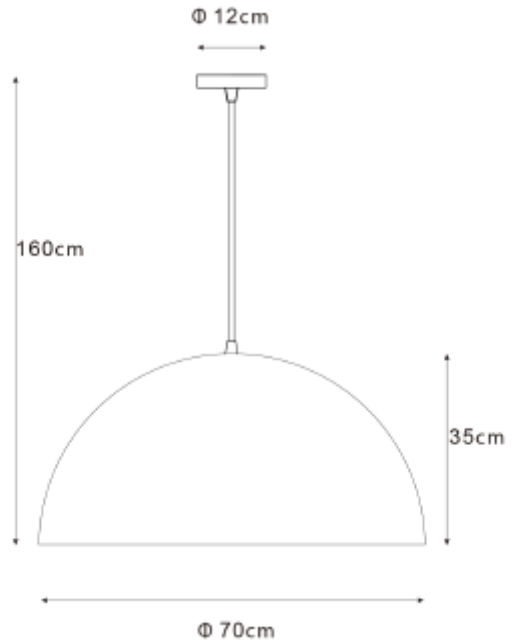
FDV SPEC SHEET

Globe Pendant

Art. no: 1098-8



Lighting Solutions



Globe Pendant



Art. no: 1098-8

LIGHT TECHNICAL

Lightsource Type:	Lightsource not included
Socket / Cap-Base:	E27
Lens (Diffuser):	None

MOUNTING / CONNECTION

Connection:	Terminal
-------------	----------

PRODUCT

Ingress Protection:	IP20
Color:	Brown/Gold
Height [mm]:	350
Width [mm]:	700
Weight [kg]:	7,1

ELECTRICAL DATA

Max. Power [W]:	3x60W
System Voltage [V]:	230V 50Hz
Protection Class:	1
Socket / Cap-Base:	E27