



## FDV SPEC SHEET

Cold 10

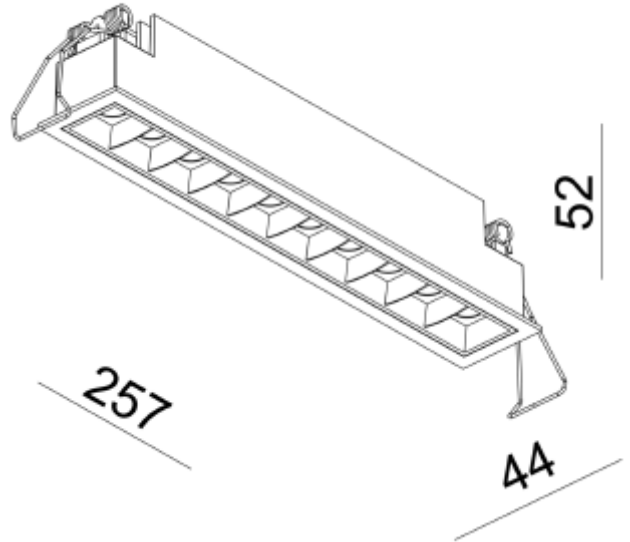
Art. no: 1111-30-32



Lighting Solutions



250x36mm



## Cold 10



Art. no: 1111-30-32

### LIGHT TECHNICAL

Lightsource Type:	LED (built in)
Lumen Output:	2150
Lumen LED (tc=25):	2100
Beam Angle:	30°
CCT (Color Temperature):	3000
CRI / Ra:	90
Color Code:	930
Lens (Diffuser):	None



## FDV SPEC SHEET

Cold 10

Art. no: 1111-30-32



### MOUNTING / CONNECTION

Connection: Depending on driver

Cut-out [mm]: 250x36

Mounting: Recessed, Ceiling

### PRODUCT

To be recessed in insulation: No

Ingress Protection: IP20

Lifetime [h]: L80B10: 100 000

Color: White / Black

Length [mm]: 257

Height [mm]: 52

Width [mm]: 44

Weight [kg]: 0,7

Housing Material : Aluminium

Material 2: Mechanical installed part(Steel

Housing Material : Aluminium

Material 2: Mechanical installed part(Steel

### ELECTRICAL DATA

Dimming: Depending on Driver

Dimming Output Type: Amplitude Modulation

Dimming Phasecut Type: Leading / Trailing edge

Flicker metric (Pst LM) <: 1

Stroboscopic effect metric (SVM) <: 0,4

System Power [W]: 2x10

System Voltage [V]: 230V 50Hz

Protection Class: 3

Max load pr circuit - B10: 35

Max load pr circuit - B16: 56

Max load pr circuit - C10: 74

Max load pr circuit - C16: 118

Leakage current [mA]: 7

Inrush current Imax [A]: 5

Inrush current time [µs]: 300

Socket / Cap-Base: N/A

Current Output [mA]: 700

Voltage Forward Max [V]: 30

Dimming Output Type: Amplitude Modulation

Dimming Phasecut Type: Leading / Trailing edge