



PRODUCT SHEET

Cold 10

Art. no: 1111-30-32

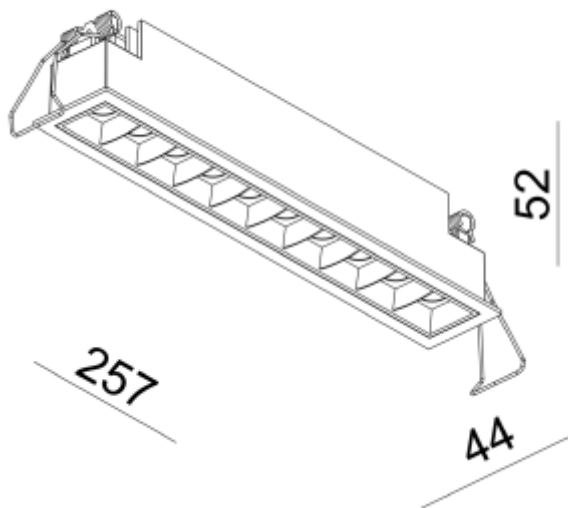
NORLUX®

Lighting Solutions

Cold 10



250x36mm



Med sin rektangulære form og inntrukket lyskilde har Cold downlight et unikt dekorativt design som egner seg i de fleste rom. Frontring leveres i flere farger og byttes enkelt ut. Driver medfølger ikke, se tilbehør for alternativ farge på front ring. DALI2: IE25D-03 Driver 350-700mA cc 25W DALI2 EPN0034 & 18i5DALI DALI2: 0300-17 Driver DALI 700mA max 35W 25-50V (one4all) 18i5 DALI/EPN0034 Fasekutt: D70030NTF-02 Driver 700mA cc 30W (21-43V) Phasecut JB&



SPECIFICATIONS

Lightsource Type: LED (built in)

System Power [W]: 2x10W

CCT (Color Temperature): 3000K

CRI / Ra: 90

Lumen Output: 2150lm

Lumen LED (tc=25): 2100lm

Beam Angle: 30°

Lens (Diffuser): None

Dimming: Depending on Driver

System Voltage [V]: 230V 50Hz

Connection: Depending on driver

Mounting: Recessed, Ceiling

Cut-out [mm]: 250x36mm

Lifetime [h]: L80B10: 100 000h

Lumen/W: 97lm/W

Color: White / Black

Length [mm]: 257mm

Height [mm]: 52mm

Width [mm]: 44mm

Weight [kg]: 0,7kg

To be recessed in insulation: No