



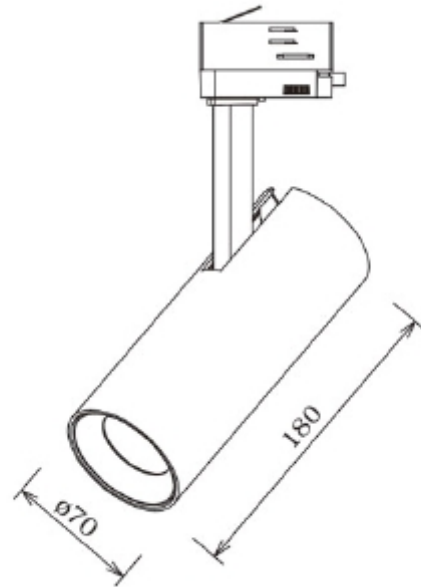
FDV SPEC SHEET

Cylinder 70

Art. no: 17055-7-36-3



Lighting Solutions



Cylinder 70



Art. no: 17055-7-36-3

LIGHT TECHNICAL

| | |
|--------------------------|----------------|
| Lightsource Type: | LED (built in) |
| Lumen LED (tc=25): | 2400 |
| Beam Angle: | 36° |
| CCT (Color Temperature): | 3000 |
| CRI / Ra: | 90 |
| Color Code: | 930 |
| MacAdam (SDCM): | 3 |
| Lens (Diffuser): | Clear |
| UGR (<=): | 21 |

MOUNTING / CONNECTION

| | |
|-------------|-----------------|
| Connection: | Track 3-Circuit |
| Mounting: | Track, Ceiling |

ELECTRICAL DATA

| | |
|--------------------------------------|-----------|
| Dimming: | None |
| System Power [W]: | 20 |
| System Voltage [V]: | 230V 50Hz |
| Protection Class: | 1 |
| Max load pr circuit - B10: | 72 |
| Max load pr circuit - B16: | 115 |
| Max load pr circuit - C10: | 90 |
| Max load pr circuit - C16: | 144 |
| Inrush current I _{max} [A]: | 5 |
| Inrush current time [µs]: | 100 |
| Current Output [mA]: | 500 |
| Voltage Forward Min [V]: | 30,9 |
| Voltage Forward Max [V]: | 40,5 |



FDV SPEC SHEET

Cylinder 70

Art. no: 17055-7-36-3



Lighting Solutions

PRODUCT

| | |
|---------------------|-------|
| Ingress Protection: | IP20 |
| Color: | White |
| Length [mm]: | 180 |
| Height [mm]: | 225 |
| Width [mm]: | 70 |
| Weight [kg]: | 0,85 |