




FDV SPEC SHEET

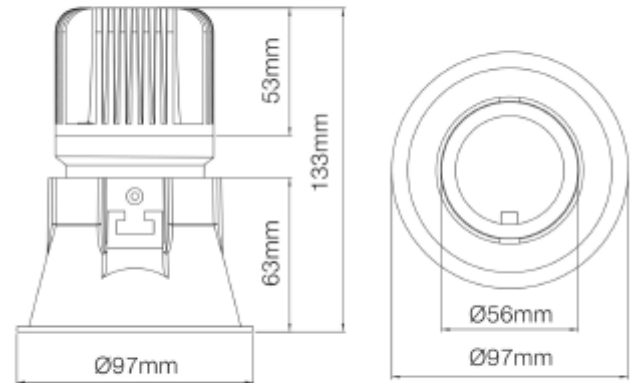
Trimo Micro

Art. no: 18015-7-30-3-ddd



Lighting Solutions

 90mm



Trimo Micro



Art. no: 18015-7-30-3-ddd

LIGHT TECHNICAL

Lightsource Type:	LED (built in)
Lumen Output:	1205
Lumen LED (tc=25):	2150
Beam Angle:	30°
CCT (Color Temperature):	3000
CRI / Ra:	80
Color Code:	830
MacAdam (SDCM):	3
Lens (Diffuser):	Clear

MOUNTING / CONNECTION

Connection:	18i5 DALI Quick connection
Cut-out [mm]:	Ø90
Mounting:	Recessed, Ceiling

ELECTRICAL DATA

Dimming:	DALI
System Power [W]:	13
System Voltage [V]:	230V 50Hz
Protection Class:	2
Max load pr circuit - B10:	82
Max load pr circuit - B16:	130
Max load pr circuit - C10:	90
Max load pr circuit - C16:	144
Inrush current I _{max} [A]:	5
Inrush current time [µs]:	100
Socket / Cap-Base:	N/A
Current Output [mA]:	350
Voltage Forward Min [V]:	31,7
Voltage Forward Max [V]:	36,3



FDV SPEC SHEET

Trimo Micro

Art. no: 18015-7-30-3-ddd



Lighting Solutions

PRODUCT

To be recessed in insulation:	No
Ingress Protection:	IP20
Lifetime [h]:	L80B10: 50.000
Color:	White
Height [mm]:	140
Width [mm]:	95
Weight [kg]:	0,65