



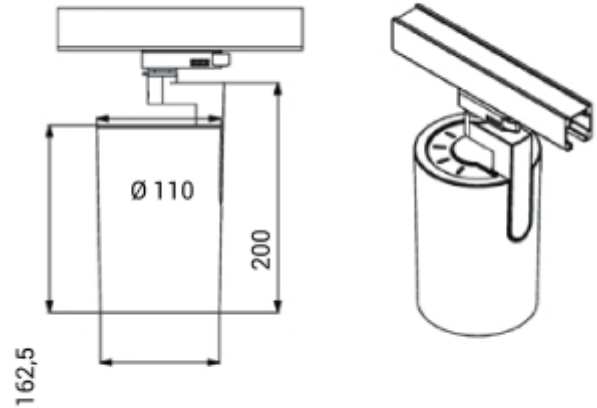
FDV SPEC SHEET

Ray Mini

Art. no: 18156-6-20-2



Lighting Solutions



Ray Mini



Art. no: 18156-6-20-2

LIGHT TECHNICAL

Lightsource Type:	LED (built in)
Lumen Output:	2460
Lumen LED (tc=25):	2700
Beam Angle:	20°
CCT (Color Temperature):	Arctic White
CRI / Ra:	95
Color Code:	Arctic White
MacAdam (SDCM):	3
Lens (Diffuser):	Clear
UGR (<=):	16

MOUNTING / CONNECTION

Connection:	Track 3-Circuit
Mounting:	Track, Ceiling

PRODUCT

Ingress Protection:	IP20
Color:	Black
Height [mm]:	200
Width [mm]:	110

ELECTRICAL DATA

Dimming:	None
System Power [W]:	23
System Voltage [V]:	230V 50Hz
Protection Class:	1
Max load pr circuit - B10:	14
Max load pr circuit - B16:	24
Max load pr circuit - C10:	24
Max load pr circuit - C16:	40
Inrush current I _{max} [A]:	25
Inrush current time [µs]:	150
Socket / Cap-Base:	N/A
Current Output [mA]:	600
Voltage Forward Min [V]:	29,2
Voltage Forward Max [V]:	41,6