



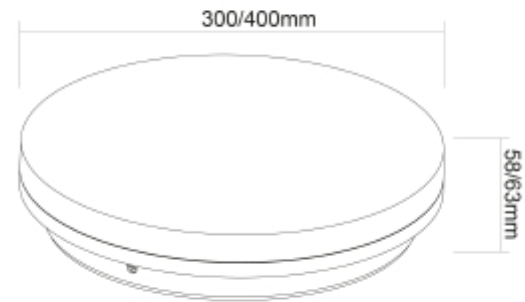
## FDV SPEC SHEET

Pollux

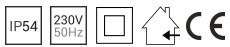
Art. no: 2112-120-3



Lighting Solutions



# Pollux



Art. no: 2112-120-3

### LIGHT TECHNICAL

Lightsource Type:	LED (built in)
Lumen Output:	1644 (4000K)
Lumen LED (tc=25):	1750
Beam Angle:	120
CCT (Color Temperature):	3/4/5700
CRI / Ra:	80
Color Code:	830/840/857
MacAdam (SDCM):	3
Lens (Diffuser):	Opal

### MOUNTING / CONNECTION

Connection:	QuickConnect
Mounting:	Surface, Ceiling

### ELECTRICAL DATA

Dimming:	None
Standby power Psb (W) <:	0,5
Flicker metric (Pst LM) <:	1
Stroboscopic effect metric (SVM) <:	0,4
System Power [W]:	18
System Voltage [V]:	230V 50Hz
Protection Class:	2
Max load pr circuit - B10:	37
Max load pr circuit - B16:	59
Max load pr circuit - C10:	37
Max load pr circuit - C16:	59
Leakage current [mA]:	0,75
Inrush current Imax [A]:	19,6
Inrush current time [µs]:	12
Socket / Cap-Base:	N/A



## FDV SPEC SHEET

Pollux

Art. no: 2112-120-3



*Lighting Solutions*

### PRODUCT

Ingress Protection:	IP54
Impact Protection:	IK10
Lifetime [h]:	L80B10: 100 000
Color:	White
Height [mm]:	58
Width [mm]:	300
Weight [kg]:	1,05
Housing Material :	Polycarbonate
Diffuser Material:	Polycarbonate