



FDV SPEC SHEET

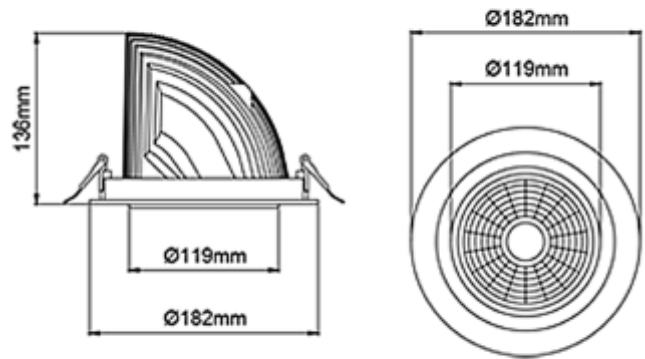
Seta

Art. no: 30246-7-30-3-ddd



Lighting Solutions

 170mm



Seta



Art. no: 30246-7-30-3-ddd

LIGHT TECHNICAL

Lightsource Type:	LED (built in)
Lumen LED (tc=25):	4650
Beam Angle:	30°
CCT (Color Temperature):	4000
CRI / Ra:	90
Color Code:	940
Lens (Diffuser):	Clear

MOUNTING / CONNECTION

Connection:	18i5 DALI Quick connection
Cut-out [mm]:	Ø170
Mounting:	Recessed, Ceiling

PRODUCT

Ingress Protection:	IP20
Color:	White
Length [mm]:	192
Height [mm]:	136
Width [mm]:	182

ELECTRICAL DATA

Dimming:	DALI
Dimming Output Type:	Amplitude Modulation
Standby power P _{sb} (W) <:	0,15
Flicker metric (P _{st} LM) <:	1
Stroboscopic effect metric (SVM) <:	0,4
System Power [W]:	31
System Voltage [V]:	230V 50Hz
Protection Class:	2
Max load pr circuit - B10:	14
Max load pr circuit - B16:	23
Max load pr circuit - C10:	23
Max load pr circuit - C16:	38
Leakage current [mA]:	0,16
Inrush current I _{max} [A]:	23
Inrush current time [µs]:	200
Dimming Output Type:	Amplitude Modulation