



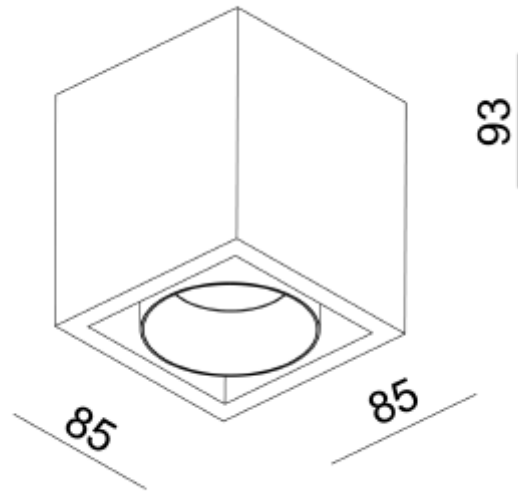
## FDV SPEC SHEET

Kappa

Art. no: 3500-48-3



Lighting Solutions



## Kappa



Art. no: 3500-48-3

### LIGHT TECHNICAL

|                          |       |
|--------------------------|-------|
| Lumen Output:            | 956   |
| Lumen LED (tc=25):       | 975   |
| Beam Angle:              | 48°   |
| CCT (Color Temperature): | 2700  |
| CRI / Ra:                | 90    |
| Color Code:              | 927   |
| MacAdam (SDCM):          | 3     |
| Lens (Diffuser):         | Clear |

### MOUNTING / CONNECTION

|             |                  |
|-------------|------------------|
| Connection: | Terminal         |
| Mounting:   | Surface, Ceiling |

### PRODUCT

|                               |                |
|-------------------------------|----------------|
| To be recessed in insulation: | Not applicable |
| Ingress Protection:           | IP20           |
| Color:                        | White          |
| Length [mm]:                  | 85             |
| Height [mm]:                  | 93             |
| Width [mm]:                   | 85             |

### ELECTRICAL DATA

|                                      |                         |
|--------------------------------------|-------------------------|
| Dimming:                             | Phase-Cut               |
| Dimming Phasecut Type:               | Leading / Trailing edge |
| System Power [W]:                    | 8,9                     |
| System Voltage [V]:                  | 230V 50Hz               |
| Protection Class:                    | 1                       |
| Max load pr circuit - B10:           | 35                      |
| Max load pr circuit - B16:           | 56                      |
| Max load pr circuit - C10:           | 74                      |
| Max load pr circuit - C16:           | 118                     |
| Leakage current [mA]:                | 5                       |
| Inrush current I <sub>max</sub> [A]: | 5                       |
| Inrush current time [µs]:            | 300                     |
| Socket / Cap-Base:                   | N/A                     |
| Current Output [mA]:                 | 500                     |
| Dimming Phasecut Type:               | Leading / Trailing edge |