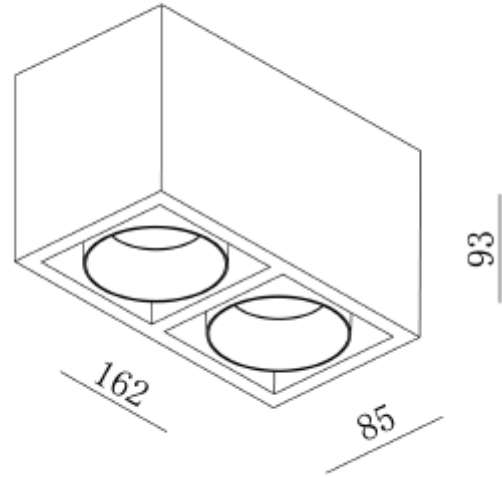
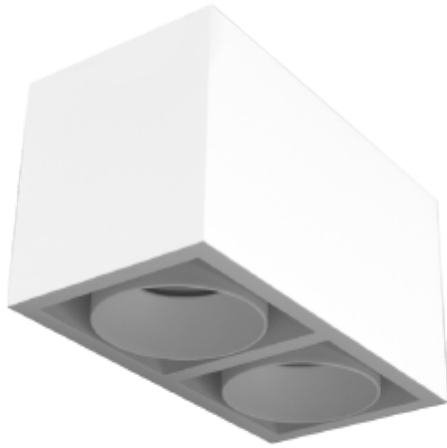




## FDV SPEC SHEET

Kappa Double  
Art. no: 3505-48-3



# Kappa Double



Art. no: 3505-48-3

### LIGHT TECHNICAL

Lumen Output:	1913
Lumen LED (tc=25):	1975
Beam Angle:	48°
CCT (Color Temperature):	2700
CRI / Ra:	90
Color Code:	927
MacAdam (SDCM):	3
Lens (Diffuser):	Clear

### MOUNTING / CONNECTION

Connection:	Terminal
Mounting:	Surface, Ceiling

### PRODUCT

To be recessed in insulation:	Not applicable
Ingress Protection:	IP20
Color:	White
Length [mm]:	162
Height [mm]:	93
Width [mm]:	85

### ELECTRICAL DATA

Dimming:	Phase-Cut
Dimming Phasecut Type:	Leading / Trailing edge
System Power [W]:	2x8,9
System Voltage [V]:	230V 50Hz
Protection Class:	1
Max load pr circuit - B10:	35
Max load pr circuit - B16:	56
Max load pr circuit - C10:	74
Max load pr circuit - C16:	118
Leakage current [mA]:	5
Inrush current I <sub>max</sub> [A]:	5
Inrush current time [µs]:	300
Socket / Cap-Base:	N/A
Current Output [mA]:	500
Dimming Phasecut Type:	Leading / Trailing edge