

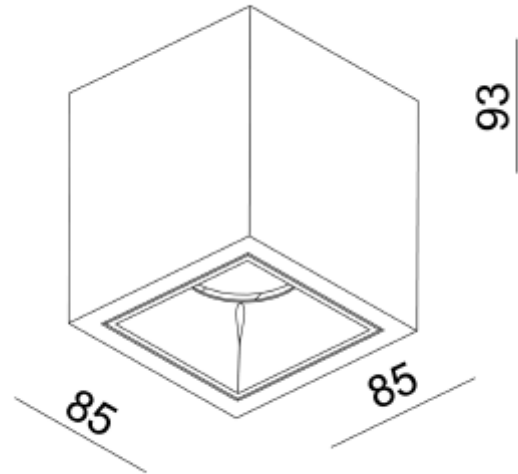


FDV SPEC SHEET

Kappa Rise
Art. no: 3510-48-3



Lighting Solutions



Kappa Rise



Art. no: 3510-48-3

LIGHT TECHNICAL

| | |
|--------------------------|-------|
| Lumen Output: | 956 |
| Lumen LED (tc=25): | 975 |
| Beam Angle: | 48° |
| CCT (Color Temperature): | 2700 |
| CRI / Ra: | 90 |
| Color Code: | 927 |
| MacAdam (SDCM): | 3 |
| Lens (Diffuser): | Clear |

MOUNTING / CONNECTION

| | |
|-------------|------------------|
| Connection: | Terminal |
| Mounting: | Surface, Ceiling |

PRODUCT

| | |
|-------------------------------|----------------|
| To be recessed in insulation: | Not applicable |
| Ingress Protection: | IP20 |
| Color: | White |
| Length [mm]: | 85 |
| Height [mm]: | 93 |
| Width [mm]: | 85 |

ELECTRICAL DATA

| | |
|--------------------------------------|-------------------------|
| Dimming: | Phase-Cut |
| Dimming Phasecut Type: | Leading / Trailing edge |
| System Power [W]: | 8,9 |
| System Voltage [V]: | 230V 50Hz |
| Protection Class: | 1 |
| Max load pr circuit - B10: | 35 |
| Max load pr circuit - B16: | 56 |
| Max load pr circuit - C10: | 74 |
| Max load pr circuit - C16: | 118 |
| Leakage current [mA]: | 5 |
| Inrush current I _{max} [A]: | 5 |
| Inrush current time [µs]: | 300 |
| Socket / Cap-Base: | N/A |
| Current Output [mA]: | 500 |
| Dimming Phasecut Type: | Leading / Trailing edge |