



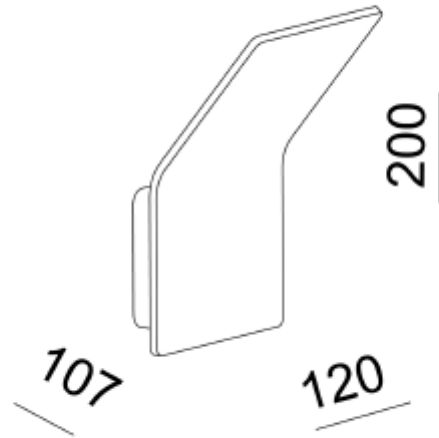
## FDV SPEC SHEET

Mira 650lm 927 6,1W WH Phasecut

Art. no: 3541-3



Lighting Solutions



# Mira 650lm 927 6,1W WH Phasecut



Art. no: 3541-3

### LIGHT TECHNICAL

Lumen LED (tc=25):	650
Beam Angle:	30°
CCT (Color Temperature):	2700
CRI / Ra:	90
Color Code:	927

### MOUNTING / CONNECTION

Connection:	Terminal
Mounting:	Surface, Wall

### PRODUCT

Ingress Protection:	IP20
Color:	White
Length [mm]:	120
Height [mm]:	200
Width [mm]:	107

### ELECTRICAL DATA

Dimming:	Phase-Cut
System Power [W]:	6,1
System Voltage [V]:	230V 50Hz
Protection Class:	1
Current Output [mA]:	350