



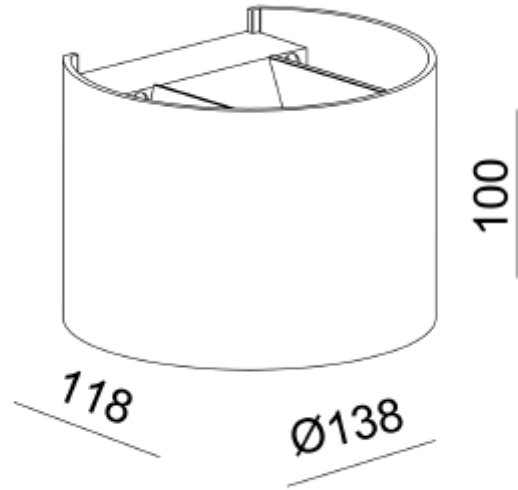
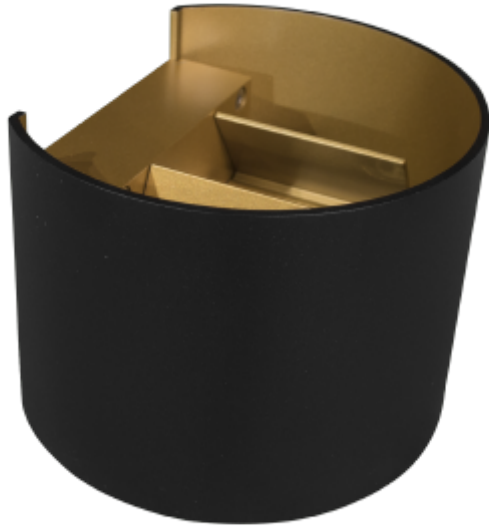
FDV SPEC SHEET

Duhr Round

Art. no: 3545-26



Lighting Solutions



Duhr Round



Art. no: 3545-26

LIGHT TECHNICAL

Lightsource Type:	LED (built in)
Lumen LED (tc=25):	2x400
CCT (Color Temperature):	2700
CRI / Ra:	90
Color Code:	927
Lens (Diffuser):	None

MOUNTING / CONNECTION

Connection:	Terminal
Mounting:	Surface, Wall

PRODUCT

Ingress Protection:	IP54
Color:	Black/Gold
Length [mm]:	138
Height [mm]:	100
Width [mm]:	118
Weight [kg]:	0,8

ELECTRICAL DATA

Dimming:	Phase-Cut
System Power [W]:	2x4,6
System Voltage [V]:	230V 50Hz
Protection Class:	1
Socket / Cap-Base:	N/A
Current Output [mA]:	500