



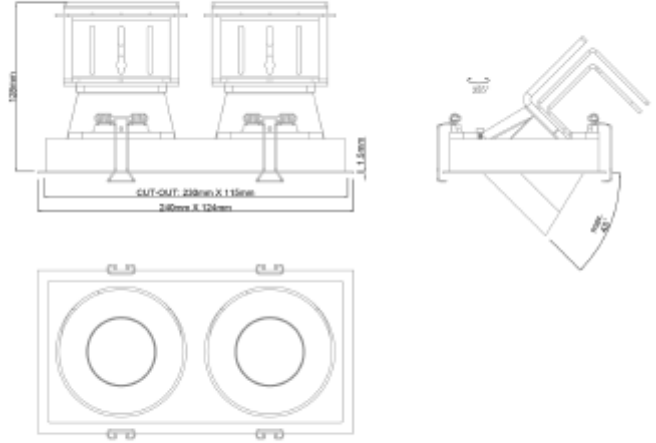
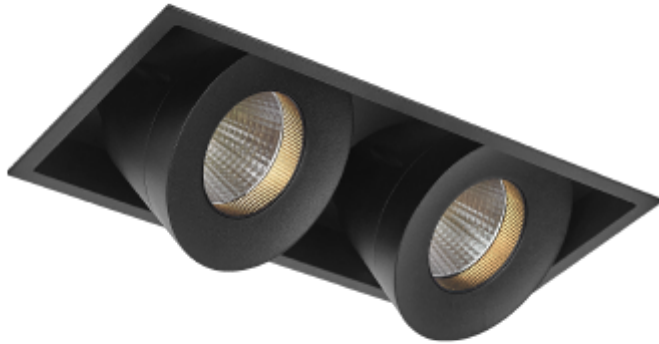
FDV SPEC SHEET

Sophia Square

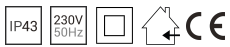
Art. no: 3575-2-36-2



Lighting Solutions



Sophia Square



Art. no: 3575-2-36-2

LIGHT TECHNICAL

Lumen Output:	2x2688
Lumen LED (tc=25):	2x2900
Beam Angle:	36°
CCT (Color Temperature):	3000
CRI / Ra:	90
Color Code:	930
Lens (Diffuser):	Clear

MOUNTING / CONNECTION

Connection:	Depending on driver
Cut-out [mm]:	230x115
Mounting:	Recessed, Ceiling

PRODUCT

To be recessed in insulation:	No
Ingress Protection:	IP43
Color:	Black
Length [mm]:	239
Height [mm]:	128
Width [mm]:	125

ELECTRICAL DATA

UGR (<=):	10
Dimming:	Depending on Driver
System Power [W]:	2x28
System Voltage [V]:	230V 50Hz
Protection Class:	2
Socket / Cap-Base:	N/A