



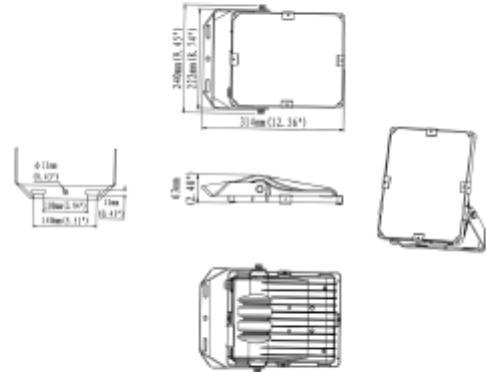
FDV SPEC SHEET

Iota

Art. no: 3586-03-120-2



Lighting Solutions



Iota



Art. no: 3586-03-120-2

LIGHT TECHNICAL

Lightsource Type:	LED (built in)
Lumen Output:	6900
Lumen LED (tc=25):	7000
CCT (Color Temperature):	4000
CRI / Ra:	70
Color Code:	740
MacAdam (SDCM):	5
Lens (Diffuser):	Clear

MOUNTING / CONNECTION

Connection:	Cable 1m
Mounting:	Wall

ELECTRICAL DATA

Dimming:	None
System Power [W]:	50
System Voltage [V]:	230V 50Hz
Protection Class:	1
Max load pr circuit - B10:	2
Max load pr circuit - B16:	4
Max load pr circuit - C10:	4
Max load pr circuit - C16:	7
Leakage current [mA]:	0,75
Inrush current I _{max} [A]:	60
Inrush current time [µs]:	450
Socket / Cap-Base:	N/A



FDV SPEC SHEET

Iota

Art. no: 3586-03-120-2



Lighting Solutions

PRODUCT

Ingress Protection:	IP65
Impact Protection:	IK08
Corrosion Class:	C3
Wind force (EPA) [m2]:	0,07
Surge Protection:	L-N = 6KV, L/N-PE = 10KV
Operating Temperature [°C]:	-30 - 50
Lifetime [h]:	L80B10: 100 000
Color:	Black
Length [mm]:	314
Height [mm]:	240
Width [mm]:	63
Weight [kg]:	2,6
Housing Material :	Aluminium
Diffuser Material:	Polycarbonate