



PRODUCT SHEET

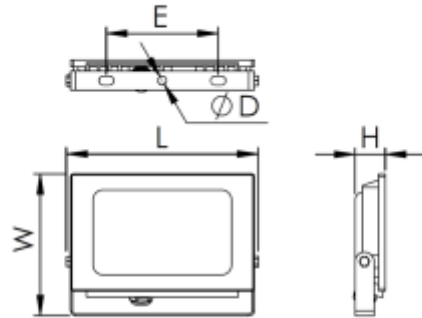
Beta

Art. no: 4116-110-1



Lighting Solutions

Beta



L, mm	W, mm	H, mm	D, mm	E, mm
157	126	25	6.9	89
208	170	36	6.9	119
320	250	42	6.9	200
418	334	45	10.5	200



SPECIFICATIONS

Lightsource Type:	LED (built in)
System Power [W]:	100W
CCT (Color Temperature):	4000K
CRI / Ra:	70
Lumen Output:	9000lm
Lens (Diffuser):	Clear
Dimming:	None
System Voltage [V]:	230V 50Hz
Mounting:	Surface, Wall, Ceiling
Lifetime [h]:	L70B50: 25 000h
Lumen/W:	90lm/W
Color:	Dark Grey
Length [mm]:	320mm
Height [mm]:	42mm
Width [mm]:	250mm
Weight [kg]:	1,83kg