

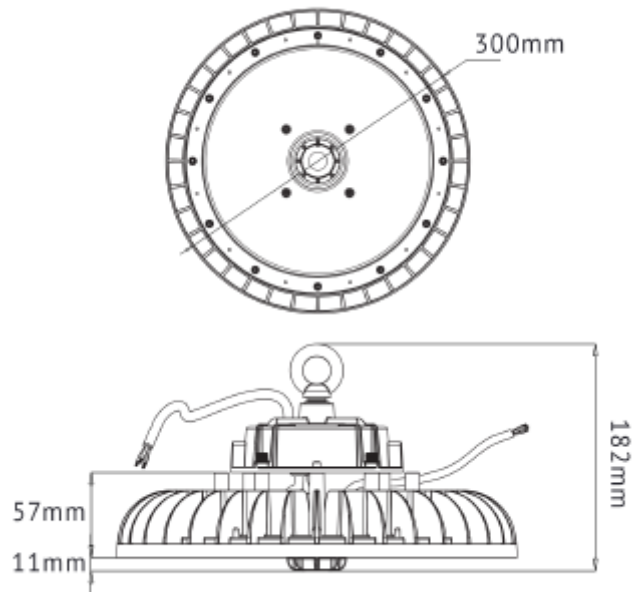


## FDV SPEC SHEET

Ufo B High Bay 150W  
Art. no: 4213-01-2-ddd



Lighting Solutions



# Ufo B High Bay 150W



Art. no: 4213-01-2-ddd

### LIGHT TECHNICAL

Lightsource Type:	LED (built in)
Lumen LED (tc=25):	23350
Beam Angle:	120
CCT (Color Temperature):	3000
CRI / Ra:	80
Color Code:	830
Lens (Diffuser):	Lens

### ELECTRICAL DATA

Dimming:	DALI2
System Power [W]:	150
System Voltage [V]:	230V 50Hz
Protection Class:	1
Max load pr circuit - B10:	2
Max load pr circuit - B16:	4
Max load pr circuit - C10:	5
Max load pr circuit - C16:	7
Leakage current [mA]:	0,75
Inrush current I <sub>max</sub> [A]:	100
Inrush current time [µs]:	500

### MOUNTING / CONNECTION

Connection:	18i5 DALI 5m
Mounting:	Suspended



## FDV SPEC SHEET

Ufo B High Bay 150W

Art. no: 4213-01-2-ddd



*Lighting Solutions*

### PRODUCT

Ingress Protection:	IP65
Impact Protection:	IK08
Corrosion Class:	C2
Operating Temperature [°C]:	-35 - 50
Lifetime [h]:	L80B50: 91 000
Color:	Black
Height [mm]:	116
Width [mm]:	300
Weight [kg]:	2,65
Housing Material :	Aluminium
Diffuser Material:	Polycarbonate
Material 2:	Mechanical installed part(Steel)