



PRODUCT SHEET

Leila C Midi

Art. no: 6921-67-3

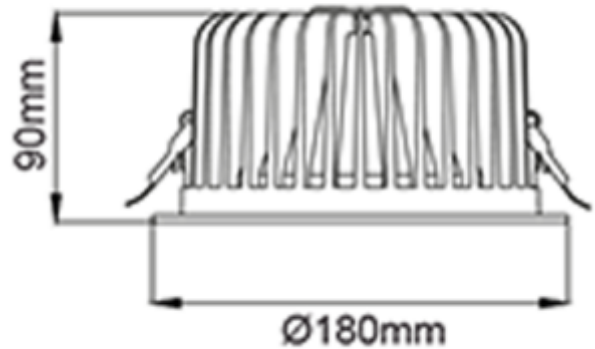


Lighting Solutions

Leila C Midi



165mm



Leila C Midi is a highly efficient downlight with 126 lm/W. With wide beam angle and rotationally symmetric light distribution, it's suitable for all places that require high lumen output. Can be delivered with on / off, phasecut or DALI2 driver. See accessories for suitable driver.

SPECIFICATIONS

| | |
|-------------------------------|---------------------|
| System Power [W]: | 16W |
| CCT (Color Temperature): | 3000K |
| CRI / Ra: | 90 |
| Lumen LED (tc=25): | 2100lm |
| Beam Angle: | 67° |
| Lens (Diffuser): | Clear |
| Dimming: | Depending on Driver |
| System Voltage [V]: | 230V 50Hz |
| Connection: | Depending on driver |
| Mounting: | Recessed, Ceiling |
| Cut-out [mm]: | Ø165mm |
| Lifetime [h]: | L80B10: 100 000h |
| MacAdam (SDCM): | 3 |
| Height [mm]: | 120mm |
| Width [mm]: | 180mm |
| Weight [kg]: | 1,1kg |
| To be recessed in insulation: | No |