




FDV SPEC SHEET

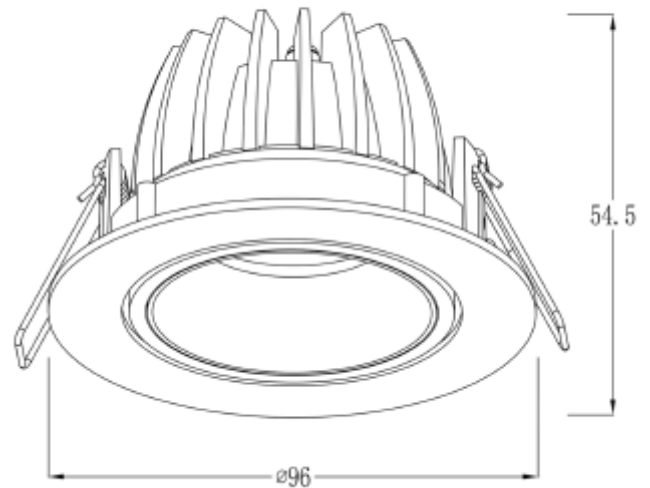
Helios

Art. no: 6989-38-32



Lighting Solutions

 83mm



Helios



Art. no: 6989-38-32

LIGHT TECHNICAL

| | |
|--------------------------|----------------|
| Lightsource Type: | LED (built in) |
| Lumen Output: | 640 |
| Lumen LED (tc=25): | 750 |
| Beam Angle: | 38° |
| CCT (Color Temperature): | 2700 |
| CRI / Ra: | 90 |
| Color Code: | 927 |
| Lens (Diffuser): | Clear |

MOUNTING / CONNECTION

| | |
|---------------|-------------------|
| Connection: | QuickConnect |
| Cut-out [mm]: | Ø83 |
| Mounting: | Recessed, Ceiling |

ELECTRICAL DATA

| | |
|--------------------------------------|-------------------------|
| Dimming: | Phase-Cut |
| Dimming Phasecut Type: | Leading / Trailing edge |
| System Power [W]: | 8 |
| System Voltage [V]: | 230V 50Hz |
| Protection Class: | 2 |
| Max load pr circuit - B10: | 35 |
| Max load pr circuit - B16: | 56 |
| Max load pr circuit - C10: | 74 |
| Max load pr circuit - C16: | 118 |
| Inrush current I _{max} [A]: | 5 |
| Inrush current time [µs]: | 300 |
| Socket / Cap-Base: | N/A |
| Current Output [mA]: | 350 |
| Voltage Forward Min [V]: | 17 |
| Voltage Forward Max [V]: | 18 |



FDV SPEC SHEET

Helios

Art. no: 6989-38-32



Lighting Solutions

PRODUCT

| | |
|---------------------|----------------|
| Ingress Protection: | IP20 |
| Lifetime [h]: | L80B10: 50.000 |
| Color: | Black / White |
| Height [mm]: | 54,5 |
| Width [mm]: | 96 |
| Weight [kg]: | 0,34 |
| Housing Material : | Aluminium |