



## FDV SPEC SHEET

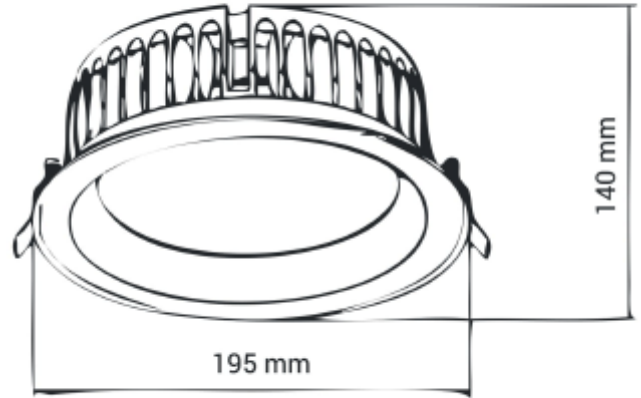
Auriga

Art. no: 736-2-40-3

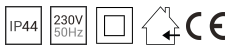


Lighting Solutions

176mm



# Auriga



Art. no: 736-2-40-3

### LIGHT TECHNICAL

Lightsource Type:	LED (built in)
Lumen Output:	2150
Lumen LED (tc=25):	2300
Beam Angle:	40°
CCT (Color Temperature):	3000
CRI / Ra:	80
Color Code:	830
Lens (Diffuser):	Clear

### MOUNTING / CONNECTION

Cut-out [mm]:	Ø176
Mounting:	Recessed

### ELECTRICAL DATA

Dimming:	None
System Power [W]:	20
System Voltage [V]:	230V 50Hz
Protection Class:	2
Max load pr circuit - B10:	31
Max load pr circuit - B16:	50
Max load pr circuit - C10:	52
Max load pr circuit - C16:	85
Inrush current I <sub>max</sub> [A]:	5
Inrush current time [µs]:	50
Socket / Cap-Base:	N/A
Current Output [mA]:	500



## FDV SPEC SHEET

Auriga

Art. no: 736-2-40-3



*Lighting Solutions*

### PRODUCT

To be recessed in insulation:	No
Ingress Protection:	IP44
Impact Protection:	IK05
Operating Temperature [°C]:	35 -
Lifetime [h]:	L80B10: 100 000
Color:	White
Height [mm]:	140
Width [mm]:	195