



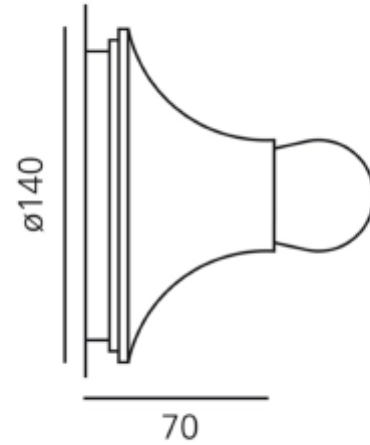
FDV SPEC SHEET

Teti White

Art. no: A048120



Lighting Solutions



Teti White



Art. no: A048120

LIGHT TECHNICAL

Lightsource Type:	LED (replaceable)
Socket / Cap-Base:	E27

MOUNTING / CONNECTION

Connection:	Terminal
Mounting:	Wall

PRODUCT

Ingress Protection:	IP20
Color:	White
Length [mm]:	70
Width [mm]:	140

ELECTRICAL DATA

Max. Power [W]:	30
System Voltage [V]:	230V 50Hz
Protection Class:	2
Socket / Cap-Base:	E27