



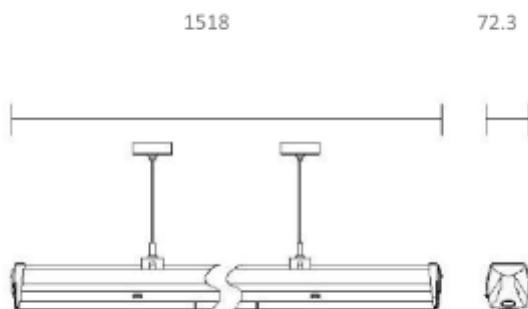
## FDV SPEC SHEET

Trunk

Art. no: CFL-1535-E-30DS-08-3



Unit: mm



# Trunk



Art. no: CFL-1535-E-30DS-0

### LIGHT TECHNICAL

Lightsource Type:	LED (built in)
Lumen LED (tc=25):	5600
Beam Angle:	Double Asymetric
CCT (Color Temperature):	3000
CRI / Ra:	80
Color Code:	830
Lens (Diffuser):	Clear

### MOUNTING / CONNECTION

Connection:	Trunk 8-wires
Mounting:	Suspended, Ceiling

### PRODUCT

Ingress Protection:	IP20
Lifetime [h]:	L80B50: 100 000
Color:	White
Length [mm]:	1500
Height [mm]:	78,6
Width [mm]:	72,3
Weight [kg]:	1,64

### ELECTRICAL DATA

Dimming:	None
System Power [W]:	35
System Voltage [V]:	230V 50Hz
Protection Class:	1
Max load pr circuit - B10:	24
Max load pr circuit - B16:	38
Max load pr circuit - C10:	40
Max load pr circuit - C16:	63
Leakage current [mA]:	0,45
Inrush current I <sub>max</sub> [A]:	15
Inrush current time [µs]:	250
Emergency light [h]:	3 hours
Emergency lumen out [lm]:	960